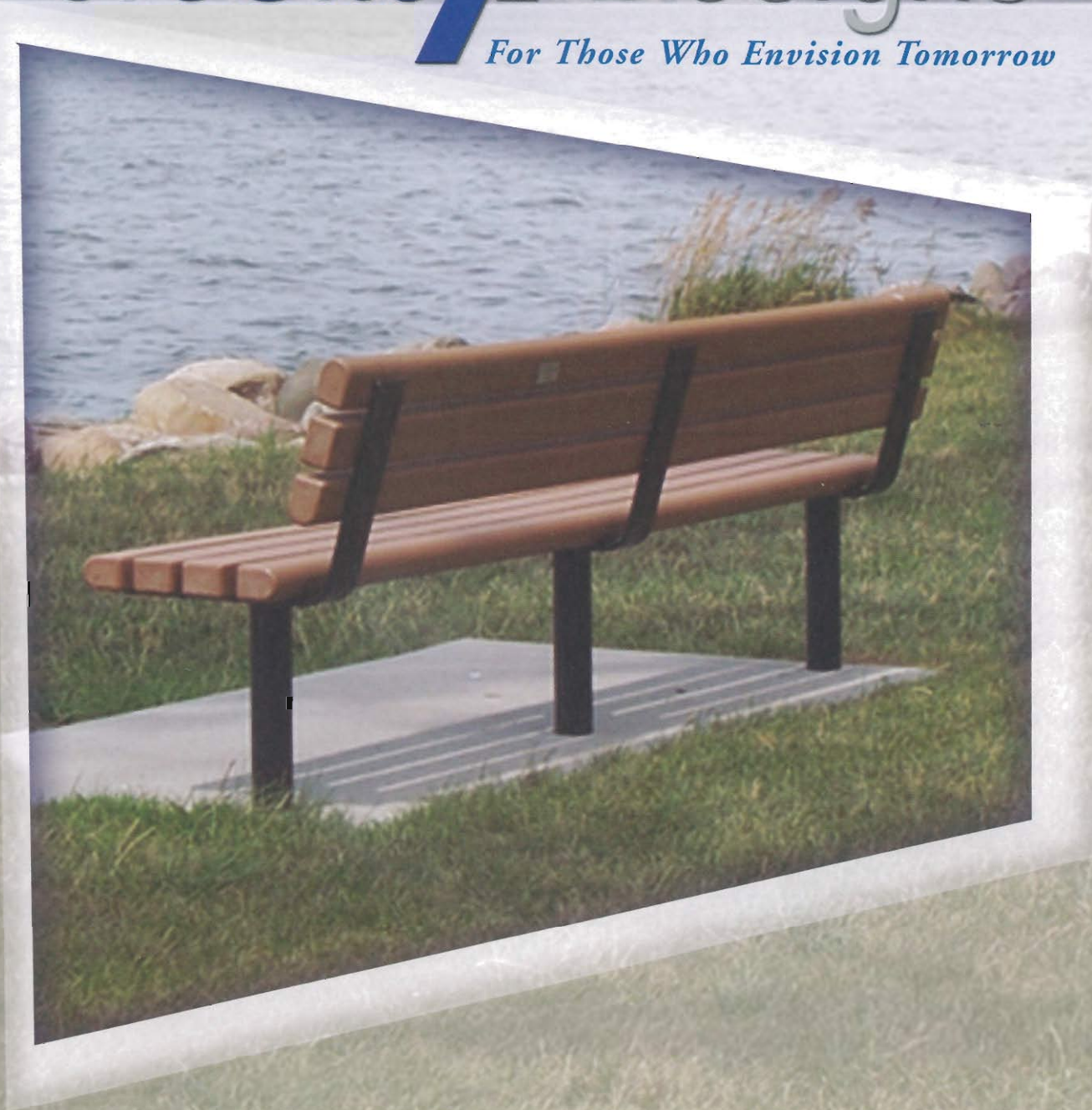


ForeSite Designs®

For Those Who Envision Tomorrow



ForeSite Designs® site furnishings, a division of Bedford Technology LLC, has been manufacturing quality site amenities since the spring of 2002. Created by our in house staff of engineers and design professionals, ForeSite Designs® offer low maintenance, highly functional furnishings that are also aesthetically pleasing. Available in two distinct styles; the classic Park Avenue™ or the conventional Park Scape™. Both series include benches, seats, picnic tables and coordinating waste receptacles and are offered in a variety of frame and slat color options.



Park Avenue™ Series



Park Scape™ Series



Park Avenue™ Series Pages 2-4

Park Scape™ Series Pages 5-7



Hex Tables Page 8



Waste Receptacles Page 9

Overview Page 10



Made in USA

Park Avenue™ Series



Park Scape™ Series

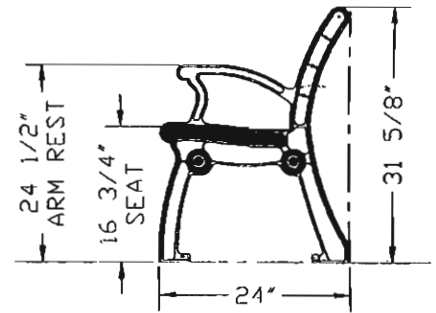


Park Avenue™ Series



Benches

- 2"x4" Select™ solid core recycled plastic lumber
- UV protection to guard against color fade
- Rounded seat and back edges for added comfort
- Sand cast aluminum frames with polyester powder coating
- Modular frames allowing for linking options
- Proportioned for sitting comfort
- Generous end arms for comfort and style
- Center arm available



Benches

| Model | | Weight Lbs. |
|-------|------------|-------------|
| 4005 | 24" Chair | 80 |
| 4004 | 49" | 108 |
| 4000 | 60" | 124 |
| 4001 | 72" | 140 |
| 4002 | 96" | 188 |
| 4003 | Center Arm | 4 |





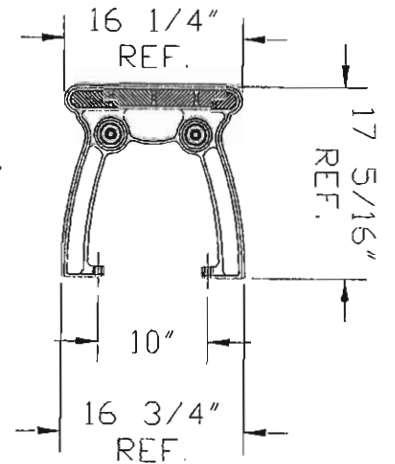
Seats

- 2"x4" Select™ solid core recycled plastic lumber
- UV protection to guard against color fade
- Rounded seat and back edges for added comfort
- Sand cast aluminum frames with polyester powder coating
- Modular frames allowing for linking options
- Proportioned for sitting comfort



Seat

| Model | Length | Weight Lbs. |
|-------|--------|-------------|
| 3004 | 49" | 54 |
| 3000 | 60" | 72 |
| 3001 | 72" | 80 |
| 3002 | 96" | 97 |



Picnic Tables

- Park Avenue™ Seat used as seat
- Detailed end castings
- ADA configuration available
- Custom sizes available

Picnic Tables

| Model | Length | Weight Lbs. |
|-------|--------|-------------|
| 5000 | 60" | 380 |
| 5001 | 72" | 412 |
| 5004 | 72"ADA | 432 |
| 5002 | 96" | 520 |
| 5003 | 96"ADA | 530 |



Park Scape™ Series



The Park Scapes™ series offers conventional design that fits nicely into any park and recreation application. These durable and low maintenance seats, benches and picnic tables are constructed with Select™ solid core recycled plastic slats and polyester powder coated finish on heavy-duty steel frames. Available with or without arm rests. The Park Scapes™ series will look great for years to come. Available in a variety of frame and slat colors.

*Assembly Required. Mounting Options: Embedded, Surface and Portable
Specify model number, mounting preference, frame and slat colors*





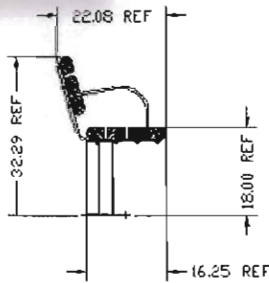
Benches

- 3"x4" Select™ solid core recycled plastic lumber
- UV protection to guard against color fade
- Rounded seat and back edges for added comfort
- Heavy duty steel frames with polyester powder coating
- Available with or without arm rests



Benches

| Model | | Weight Lbs. |
|-------|----------------------|-------------|
| 1405 | 24" Child's w/o arms | 153 |
| 1404 | 48" w/o arms | 164 |
| 1400 | 60" w/o arms | 185 |
| 1401 | 72" w/o arms | 205 |
| 1402 | 96" w/o arms | 249 |
| 150 | 448" | 180 |
| 1400 | 60" | 201 |
| 1501 | 72" | 221 |
| 1502 | 96" | 265 |



Seat

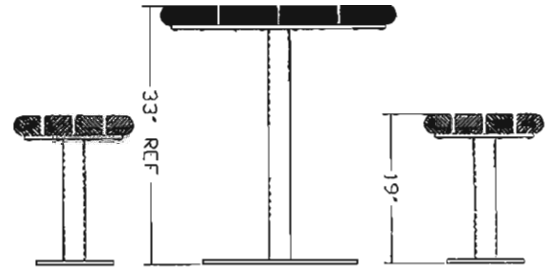
| Model | | Weight Lbs. |
|-------|-----------------|-------------|
| 1870 | 24" Childs Seat | 75 |
| 1890 | 48" | 88 |
| 1900 | 60" | 107 |
| 2000 | 72" | 129 |
| 2100 | 96" | 188 |



Seats

- 3"x4" Select™ solid core recycled plastic lumber
- UV protection to guard against color fade
- Rounded seat edges for added comfort
- Heavy duty steel frames with polyester powder coating
- Proportioned for sitting comfort





PICNIC TABLES

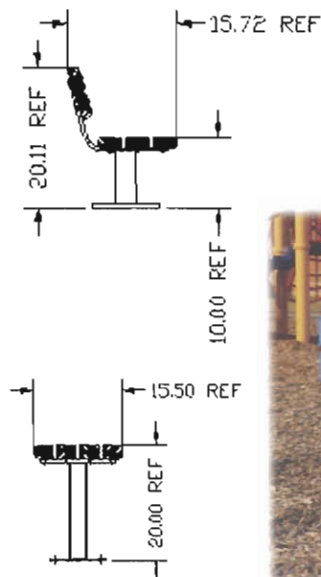
- *Park Scape™* seats used for seating
- *ADA configuration* available

PICNIC TABLES

| Model | | Weight Lbs. |
|-------|---------|-------------|
| 1600 | 60" | 425 |
| 1700 | 72" | 495 |
| 1701 | 72" ADA | 495 |
| 1800 | 96" | 633 |
| 1801 | 96" ADA | 583 |



72" ADA TABLE



CHILD

| Model | | Weight Lbs. |
|-------|-----|-------------|
| 1870 | 24" | 75 |
| 1405 | 24" | 153 |



New Design



- *Rounded seat edges for added comfort*
- *Seats six in comfort*
- *ADA configuration available*
- *Surface mounting or free standing*
- *Easy access to seating from either side*
- *Optional 1^{1/2}" umbrella hole with an underside steel support in the table center*

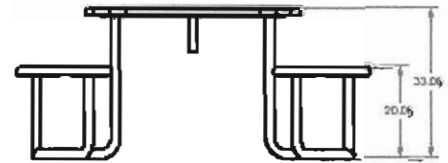
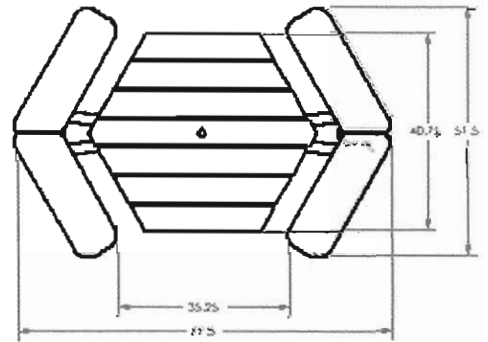
Dimensions

Table top / both = 40.75" edge to edge

Seat / both = 69.7" edge to edge

Standard = 73.1" point to point

ADA = 77.3" point to point



Hex Table

| Model | | Weight Lbs. |
|-------|--------------------------------|-------------|
| 2300 | Hex Table | 425 |
| 2301 | Hex Table | 350 |
| 2302 | Hex Table w/umbrella mount | 430 |
| 2303 | Hex Table ADA w/umbrella mount | 355 |



ForeSite Designs® waste receptacles coordinate with both Park Avenue™ and Park Scapes™ series site furnishings. Available in round or square styles.

- 32 gallon capacity
- Liners included
- All fasteners are stainless steel tamper proof to prevent corrosion & theft
- Slats are Select™ recycled plastic lumber
- Frames are sturdy aluminum supported by interior steel bands
- Powder coated polyester finish on all metal parts to protect and seal
- Surface or portable mount
- Anchors available for surface mount units

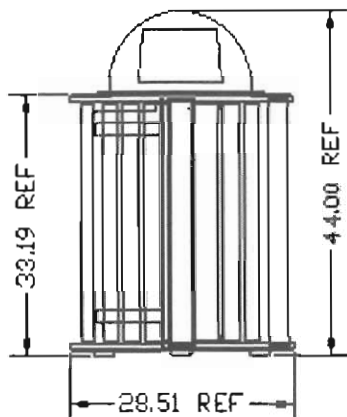
Specify model number, lid preference, frame and slat colors



Waste Receptacles (Round)

Model 6000 *Steel powder coated dome with hinged door*

Model 6001 *Aluminum powder coated dome with three side access*



- Hinged locking door with side entry for easy access
- Interchangeable domes

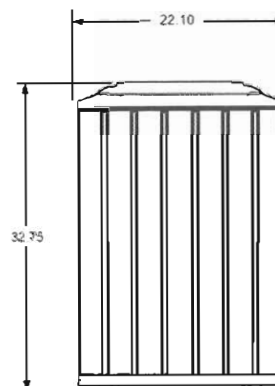
Waste Receptacles and Recycle Containers (Square)

Model 6100
9" round opening

Model 6101
4.5" round opening

Model 6102
3"x9" oblong opening

- Interchangeable lids made from high density poly-ethylene
- Top fill only



All colors available for both Park Avenue™ and Park Scapes™

Select™ Slat Colors: Cedar, Mink, Weathered Wood, Brown, Gray, Dark Gray, Forest Green, Blue, Yellow, Black, White



Frame Colors: Black, Forest Green, Brown, Gray, Red, White



Plastic Slats

Select™ slats are made from recycled high density polyethylene. UV protection has been added to guard against color fade. Because this is an all plastic product, no water proofing, painting, staining or similar maintenance is required. Can be easily cleaned with light power wash or household cleaners.

Powdercoat Finishes

All ForeSite Design® frames go through a 9 step polyester powder coating process. The end result is a long lasting protection that offers true color and superior chip resistance.

Warranty Information

Effective from the time of invoice through a period of fifty (50) years, the Select™ boards are guaranteed not to suffer structural damage from termites or fungal decay, will not rot, split, crack or splinter. A

limited twenty (20) year warranty is issued against structural failure of the frames. All other pieces have a one (1) year limited warranty.

(A complete copy of the warranty is available upon request)



Distributed by:

ForeSite  Designs®

www.plasticboards.com