



**Patterson-Williams**

S I T E F U R N I S H I N G S  
2 0 1 6

S I N C E 1 9 1 9



# OPTIONS

## Standard Composite Plank Colors



## Special Order Colors Add 5% to cost of product



PW Athletic uses PolyTuf™ extruded planks in our designs allowing us to extend a 20 year limited warranty. Manufactured in the U.S.A. from purified blends of post consumer, post industrial and virgin HDPE (high density polyethylene) base resins. With UV inhibited pigments, our recycled planks are made to withstand the elements.

## 200 Series Super Durable Powder Coat Colors



## 500 Series Super Durable Anti-Graffiti Powder Coat Colors



Color chip samples are available, to order contact us at: 1(800) 687-5768 ext. 128



# OPTIONS



## Honorarium or Memorial Message

Choose a style of bench and add engraved plaque or plank

Option A: Recycled Composite Plank Engraved + \$100

Option B: Aluminum Plaque Engraved + \$140

Option C: Cast Bronze Plaque Engraved + \$160

Max: 3 lines per plaque or plank, Max: 20 characters per line

For more information please contact us at  
Sales@Patterson-Williams.com



Custom Logo Backs Available!  
Price Includes Logo Design and Conversion

Email us your Logo to receive a drawing for production approval.

Model 3108

## GAME BOARD ADD-ON OPTION



Model #GBI-Chess

\$200

18" x 18" including a 1" border to fasten to table of your choice, 3 layer powder coat includes a clear coat finish.

## MOUNTING OPTIONS

When applicable to the products you are ordering, please select your preferred mounting option and include the model option to the end of the model of your product.



**M1**  
Permanent Mount



**M2**  
Portable



**M3**  
Round Surface Mount



**M4**  
Rectangle Surface Mount



**DC1**  
1 Piece  
\$28 per post



**DC2**  
2 Piece  
\$53 per post



**DA**  
Drop In Anchor  
\$16 Each



Patterson-Williams Site Furnishings are designed and built to stand up beautifully to the elements and daily public use.

Heavy Duty Steel, Stainless Steel Hardware, and Super Durable Powder Coat Finish ensure that Patterson-Williams products will be beautiful for years to come. All of our pieces represent an investment in quality, the best of the best.

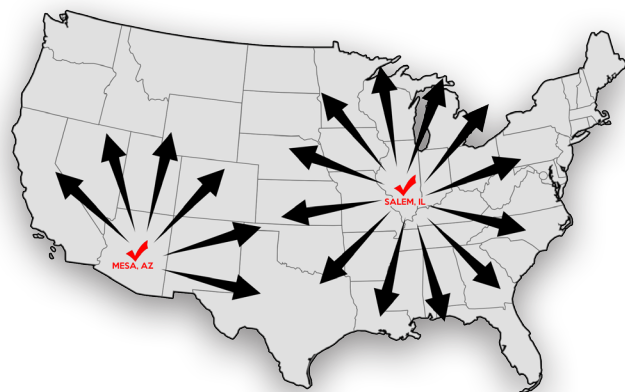
Designs ranging from classic to contemporary provide our clients with a wide assortment of styles from which to choose. Each public space has a definite design aesthetic, classic, modern, industrial.

There is a Patterson-Williams collection ideal for each space.



Handcrafted in the United States, Patterson-Williams furnishings are made by craftsmen who will accept nothing but the highest quality materials, workmanship, and product. We believe, like you, that placing American-made products in America's public spaces strengthens our country and its economy.

Facilities in the Southwest and Midwest help us keep freight charges to our clients as reasonable as possible and allow us to efficiently and quickly ship furnishings all across the country.



You want, and deserve, the best site furnishings for your project. With Patterson-Williams, you receive the highest quality product and an excellent customer service experience.



# CONTENTS

**PATTERSON-WILLIAMS IS PROUD TO OFFER YOU  
THIS QUALITY COLLECTION OF AMERICAN MADE  
SITE FURNISHINGS**

The Patterson-Williams commitment to quality and excellence begins with the design process and flows seamlessly through production, sales, and delivery. Our customers value the variety of aesthetically diverse site furnishings that are ideal for a wide range of public and commercial environments.

Built by experienced American craftsmen, Patterson-Williams furnishings feature materials such as steel strap, steel rod, castings, and recycled plastic. Our highly customizable furniture is finished in a super durable powder coat that will withstand harsh environmental conditions and years of use.

Patterson-Williams is committed to creating beautiful furnishings and an excellent customer experience.



<b>2-3</b>	<b>COLOR &amp; MOUNTING OPTIONS</b>
<b>6-7</b>	<b>HYDE PARK COLLECTION</b>
<b>8-9</b>	<b>EAGLE CREEK COLLECTION</b>
<b>10-11</b>	<b>JACKSON SQUARE COLLECTION</b>
<b>12</b>	<b>GOLDEN GATE COLLECTION</b>
<b>13</b>	<b>FAIRMOUNT COLLECTION</b>
<b>14</b>	<b>LINCOLN COLLECTION</b>
<b>15</b>	<b>FOREST PARK COLLECTION</b>
<b>16</b>	<b>MATRIX COLLECTION</b>
<b>17</b>	<b>XANDER COLLECTION</b>
<b>18</b>	<b>DUPONT CIRCLE COLLECTION</b>
<b>19</b>	<b>BLACKSMITH COLLECTION</b>
<b>20-21</b>	<b>ARC SERIES</b>
<b>22-25</b>	<b>PICNIC TABLES</b>
<b>26</b>	<b>TREE GUARDS</b>
<b>27-39</b>	<b>BENCHES</b>
<b>40</b>	<b>GRILLS</b>
<b>41-43</b>	<b>TRASH RECEPTACLES</b>
<b>44</b>	<b>RECYCLING RECEPTACLES</b>
<b>45</b>	<b>ASH RECEPTACLES</b>
<b>46-49</b>	<b>BIKE RACKS</b>
<b>50</b>	<b>BOLLARDS</b>
<b>51</b>	<b>TERMS &amp; WARRANTY</b>





Model 3150

Featuring a sleek, contemporary aesthetic appeal and designed for comfort, durability, and value, site furnishings in the Hyde Park collection are ideal for a wide variety of projects.

Legs/End Frames:	3/8" x 2" Heavy Duty Steel Strap
Seats/Backs/Table Tops/Sides:	1/4" x 1-1/2" Heavy Duty Steel Strap
Bench Understructure:	1-5/8" O.D. Heavy Duty Steel
Table/Picnic Bench Understructure:	1-7/8" O.D. Heavy Duty Steel
Receptacle Rings:	3/4" Solid Steel Rod
Finish:	Super Durable Powder Coat
Colors (page 2):	28 Powder Coat Colors

Model	Description	Weight	Price
3107-06	6' Long Bench with Back	233 lbs.	\$1,212
3107-08	8' Long Bench with Back	249 lbs.	\$1,452
3107-ARM	Optional Center Arm Rest for Bench	N/A	\$69
3104-06	6' Long Bench without Back	133 lbs.	\$767
3104-08	8' Long Bench without Back	149 lbs.	\$1,057
3104-ARM	Optional Arm Rest for Backless Bench	N/A	\$69

All Hyde Park Models are Surface Mounted. Please select Powder Coat color when ordering.

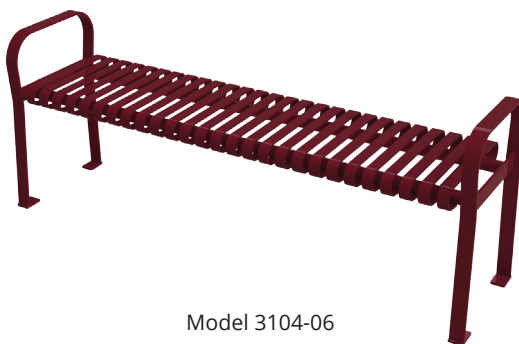
# HYDE PARK 7



Model 3120-06



Model 3350



Model 3104-06



Model 3150

Model	Description	Weight	Price
3120-06	Table and (2) Benches, 6' Long without Back	465 lbs.	\$1,874
3120-08	Table and (2) Benches, 8' Long without Back	864 lbs.	\$2,186
3120-ADA	8' Table and (2) 6' Long Benches without Back	800 lbs.	\$2,186
3150	Top Opening Litter Receptacle with 32 Gallon Liner	140 lbs.	\$795
3150-SH	Side Opening Litter Receptacle with 32 Gallon Liner	140 lbs.	\$996
3350	Ash Receptacle	34 lbs.	\$513

All Hyde Park Models are Surface Mounted. Please select Powder Coat color when ordering.





**Model 3201-06**

The remarkably striking pieces of the Eagle Creek Collection are as durable as they are beautiful. They are ideal for high-traffic facilities wishing to make a strong visual statement.

Legs/End Frames:	1-1/2" x 1-1/2" Cast Aluminum
Seats/Backs/Table Tops/Sides:	1/2" O.D. Steel Rod
Understructure:	1-3/8" O.D. Heavy Duty Steel Bar
Picnic Table & Bench Understructure:	2-3/8" & 1-3/8" O.D. Heavy Duty Steel Tubes/Braces
Picnic Table & Bench Legs:	3/8" x 2" Steel Bar
Round Receptacle Top/Bottom:	3/4" O.D. Solid Steel Rod
Finish:	Super Durable Powder Coat
Colors (page 2):	28 Powder Coat Colors

Model	Description	Weight	Price
3201-06	6' Long Bench with Back	226 lbs.	\$1,392
3201-08	8' Long Bench with Back	249 lbs.	\$1,620
3201-AR	Optional Arm Rest for Bench with Back	N/A	\$69
3205-06	6' Long Bench with Arm Rest without Back	149 lbs.	\$1,453
3205-08	8' Long Bench with Arm Rest without Back	162 lbs.	\$1,729
3225-06	6' Long Bench without Arm Rest & Back	107 lbs.	\$958
3225-08	8' Long Bench without Arm Rest & Back	141 lbs.	\$1,048

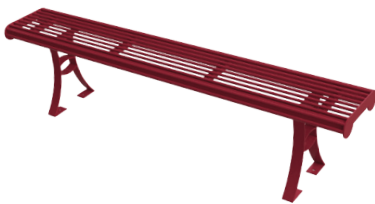
All Eagle Creek Models are Surface Mounted. Please select Powder Coat color when ordering.

# EAGLE CREEK 6



Model 3250

Model 3220-06



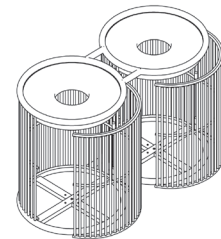
Model 3225



Model 3205



Model 1307-ROD-SH



Model 3250-DBL-SH

Model	Description	Weight	Price
3220-06	Table and (2) Benches 6' Long without Back	430 lbs.	\$1,874
3220-08	Table and (2) Benches 8' Long without Back	750 lbs.	\$2,186
3220-ADA	8' Table and (2) 6' Long Backless Benches	750 lbs.	\$2,186
3250	Round Top Opening Litter Receptacle with 32 Gallon Liner	127 lbs.	\$876
3250-SH	Round Side Opening Litter Receptacle with 32 Gallon Liner	127 lbs.	\$1,048
3250-DBL-SH	Double Litter Receptacle, Side Opening with 32 Gallon Liner	340 lbs.	\$1,888
1307-ROD-SH	Square Side Opening Litter Receptacle with 32 Gallon Liner	265 lbs.	\$1,048
3255	Ash Receptacle	70 lbs.	\$523

All Eagle Creek Models are Surface Mounted. Please select Powder Coat color when ordering.



# 10 JACKSON SQUARE



Model 3111-06

The graceful, gentle curve of the Jackson Square bench makes a classic and elegant statement. Partnered with coordinating pieces, the collection features durable construction, built to last for years and years.

Legs/End Frames:	1-1/2" x 1-1/2" Cast Aluminum
Seats/Backs/Sides:	1/4" x 1-1/2" Heavy Duty Steel Strap
Understructure:	1-5/8" Heavy Duty Steel
Receptacle Rings:	3/4" O.D. Solid Steel Rod
Finish:	Super Durable Powder Coat
Colors (page 2):	28 Powder Coat Colors

Model	Description	Weight	Price
3111-06	6' Long Bench with Arched Back	210 lbs.	\$1,392
3111-08	8' Long Bench with Arched Back	264 lbs.	\$1,626
3111-ARM	Optional Center Arm Rest for Bench	N/A	\$69
3113-06	6' Long Bench without Back	187 lbs.	\$1,322
3113-08	8' Long Bench without Back	199 lbs.	\$1,563

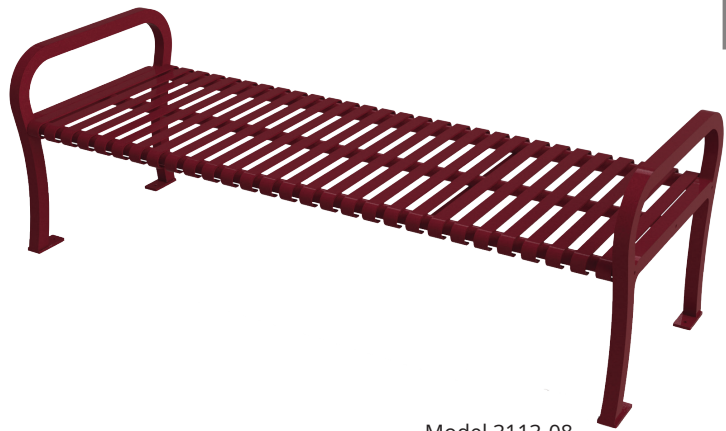
All Jackson Square Models are Surface Mounted. Please select Powder Coat color when ordering.



Model 3350



Model 3150-SH



Model 3113-08

Model	Description	Weight	Price
3150	Top Opening Litter Receptacle with 32 Gallon Liner	140 lbs.	\$795
3150-SH	Side Opening Litter Receptacle with 32 Gallon Liner	140 lbs.	\$996
3350	Ash Receptacle	34 lbs.	\$513

All Jackson Square Models are Surface Mounted. Please select Powder Coat color when ordering.





Model 1302



Model 1110-08

Stylishly blending the beauty of faux wood and strength of steel, DuPont Circle pieces offer the best of both worlds.

- Legs/Understructure: 2" x 2" Square Steel Tube
- Seats/Backs/Sides: 2" x 4" Recycled Composite Plank
- Ash Receptacle Top: 1-1/2" x 1-1/2" Square Steel Tube
- Finish: Super Durable Powder Coat
- Colors (page 2): 28 Powder Coat Colors  
14 Recycled Composite Plank Colors

Model	Description	Weight	Price
1111-06	6' Long Bench with Back	215 lbs.	\$1,285
1111-08	6' Long Bench with Back	275 lbs.	\$1,412
1110-06	6' Long Bench without Back	150 lbs.	\$1,050
1110-08	8' Long Bench without Back	200 lbs.	\$1,200

Golden Gate Models may be Surface Mounted or In-Ground Mounted. Please select Powder Coat and Composite Plank color when ordering.



Model 4401-06

Model 1115-08

Rugged, substantial, strong...The Fairmount collection features recycled composite planks and a Heavy Duty Steel construction.

Seats/Backs:	4" x 4" Recycled Composite Plank
Legs:	2-7/8" O.D. Heavy Duty Steel Tube
Understructure:	2-7/8" O.D. Heavy Duty Steel Tube
Finish:	Super Durable Powder Coat
Colors (page 2):	28 Powder Coat Colors 14 Recycled Composite Plank Colors

Model	Description	Weight	Price
1112-06	6' Long Bench with Back	215 lbs.	\$879
1112-08	6' Long Bench with Back	254 lbs.	\$1,135
1115-06	6' Long Bench without Back	132 lbs.	\$670
1115-08	8' Long Bench without Back	151 lbs.	\$760

Fairmount Models may be Surface Mounted or In-Ground Mounted. Please select Powder Coat and Composite Plank color when ordering.



Model 1400



Model 1410



Model 1450



The Lincoln collection lends a rustic edge to a contemporary urban style, making it ideal for city parks and trails.

Legs/End Frames:	1-1/2" x 1-1/2" Cast Aluminum
Seats/Backs/Sides:	2" x 4" Recycled Composite Plank
Understructures:	1-3/8" Heavy Duty Steel or 3/16" and 3/8" Angle
Receptacle Ring:	2-3/8" O.D. Heavy Duty Steel Tube
Finish:	Super Durable Powder Coat
Colors (page 2):	28 Powder Coat Colors 14 Recycled Composite Plank Colors

Model	Description	Weight	Price
1400-06	6' Long Bench with Back	355 lbs.	\$1,488
1400-08	8' Long Bench with Back	385 lbs.	\$1,895
1410-06	6' Long Bench without Back	210 lbs.	\$1,153
1410-08	8' Long Bench without Back	240 lbs.	\$1,368
1450	Top Opening Litter Receptacle with 32 Gallon Liner	211 lbs.	\$1,198
1450-SH	Side Opening Litter Receptacle with 32 Gallon Liner	211 lbs.	\$1,398

All Lincoln Models are Surface Mount. Please select Powder Coat and Composite Plank Color when ordering.



Model 1113-04



Model 1150

Austere in nature and affordable in price, the Forest Park collection is strong enough to withstand high use and hostile weather.

Legs:	2-7/8" O.D. Heavy Duty Steel Tube
Seats/Backs:	3" x 4" Recycled Composite Plank
Sides:	2" x 4" Recycled Composite Plank
Understructure:	3/8" x 4" Heavy Duty Steel Bar
Receptacle Frame:	3/8" x 4" Heavy Duty Steel Bar
Finish:	Super Durable Powder Coat & Composite Planks
Colors (page 2):	28 Powder Coat Colors 14 Recycled Composite Plank Colors

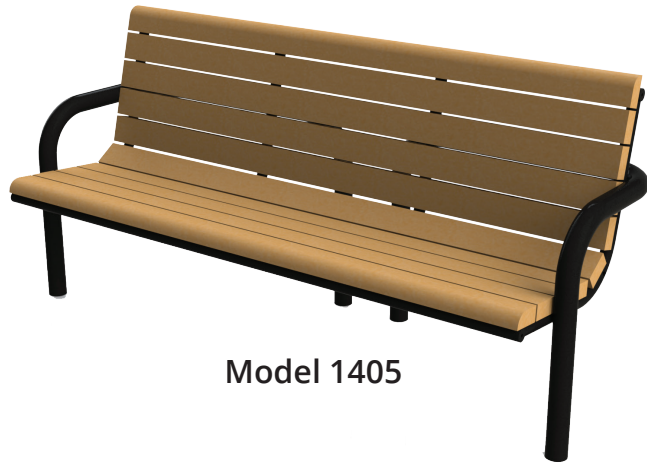
Model	Description	Weight	Price
1113-04	4' Long Bench with Back	190 lbs.	\$695
1113-06	6' Long Bench with Back	210 lbs.	\$847
1113-08	8' Long Bench with Back	275 lbs.	\$1,036
1113-AR	Optional Arm Rest for Bench	N/A	\$69
11150	Top Opening Litter Receptacle with 32 Gallon Liner	107 lbs.	\$713

Forest Park Benches may be Surface Mounted or In-Ground Mounted. Please select Powder Coat & Composite Plank color, and Mounting Option when ordering.

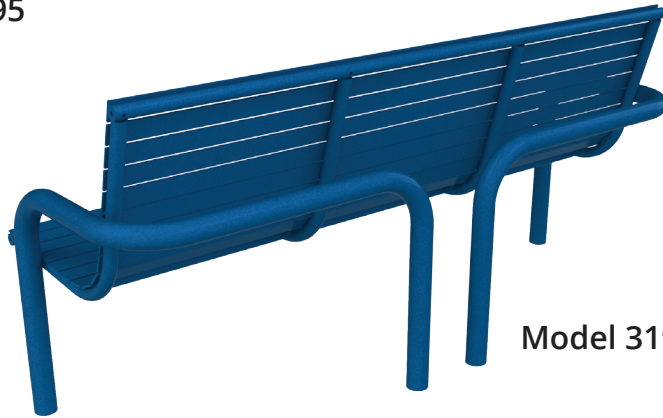




Model 3195



Model 1405



Model 3196

Nicknamed the “floating bench” by our designers and craftsmen, the two-legged version of this bench appears to defy gravity. The four-legged design allows you to surface mount this contemporary masterpiece.

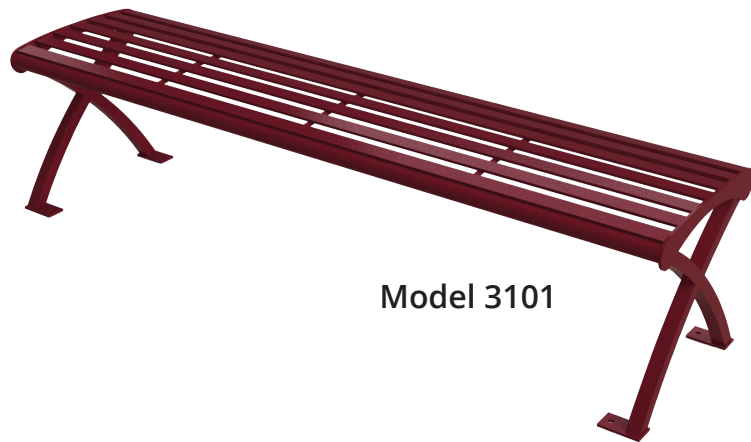
Legs/Frames: 2-3/8" O.D. Heavy Duty Steel Tube  
 Understructure: 1-3/8" O.D. Heavy Duty Steel  
 Seats/Backs: 1-1/2" x 1/4" Steel Strap OR 2" x 4" Composite Planks  
 Finish: Super Durable Powder Coat  
 Colors (page 2): 28 Powder Coat Colors

Model	Description	Weight	Price
3195-06	6' Long Steel Strap Bench with two legs. In Ground Mount Only	385 lbs.	\$943
3195-08	8' Long Steel Strap Bench with two legs. In Ground Mount Only	394 lbs.	\$1,101
3196-06	6' Long Steel Strap Bench with four legs. In Ground or Surface Mount	410 lbs.	\$821
3196-08	8' Long Steel Strap Bench with four legs. In Ground or Surface Mount	418 lbs.	\$885
1405-06	6' Long Composite Plank Bench with two legs, In Ground Mount Only	357 lbs.	\$1,198
1405-08	8' Long Composite Plank Bench with two legs, In Ground Mount Only	394 lbs.	\$1,451
1406-06	6' Long Composite Plank Bench with four legs, In Ground or Surface Mount	382 lbs.	\$1,307
1406-08	8' Long Composite Plank Bench with four legs, In Ground or Surface Mount	418 lbs.	\$1,558

Matrix Models are in ground or surface mounted as indicated. Please select Powder Coat color, Composite Plank Color, and Mounting preference when ordering.



Model 3102-06



Model 3101

A subtle curve and clean lines lend the Xander collection a feeling of sleek sophistication.

Legs: 1-1/4" x 1-1/4" Solid Square Bar  
 Understructure: 1-5/8" O.D. Heavy Duty Steel Tube  
 Seats/Backs: 1/4" x 1-1/2" Steel Strap  
 Finish: Super Durable Powder Coat  
 Colors (page 2): 28 Powder Coat Colors

Model	Description	Weight	Price
3102-06	6' Steel Strap Bench with Back	188 lbs.	\$786
3102-08	8' Steel Strap Bench with Back	240 lbs.	\$870
3101-06	6' Steel Strap Bench without Back	115 lbs.	\$513
3101-08	8' Steel Strap Bench without Back	141 lbs.	\$618

All Xander Models are Surface Mounted. Please select Powder Coat color when ordering.

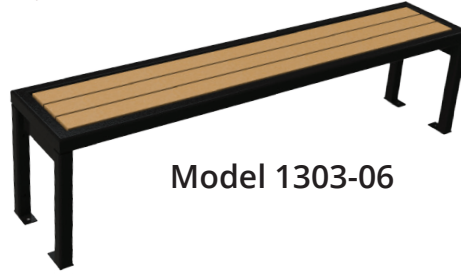




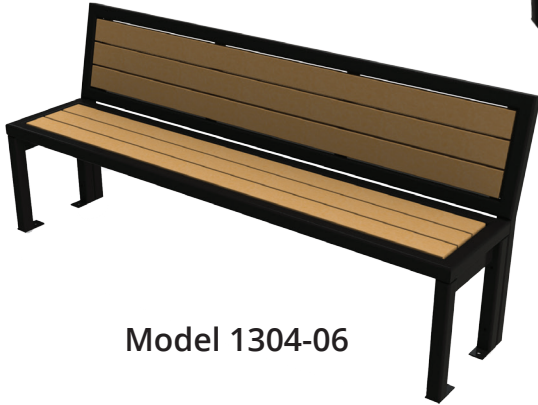
Model 1302-06



Model 1307-RCP-SH



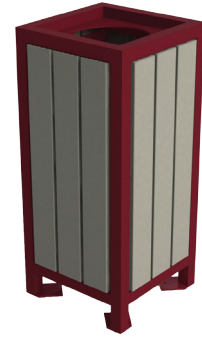
Model 1303-06



Model 1304-06



Model 1308-RCP



Model 1351

Stylishly blending the beauty of faux wood and strength of steel, DuPont Circle pieces offer the best of both worlds.

Legs/Understructure:	2" x 2" Square Steel Tube
Seats/Backs/Sides:	2" x 4" Recycled Composite Plank
Ash Receptacle Top:	1-1/2" x 1-1/2" Square Steel Tube
Finish:	Super Durable Powder Coat
Colors (page 2):	28 Powder Coat Colors 14 Recycled Composite Plank Colors

Model	Description	Weight	Price
1302-06	Table and (2) Benches, 6' Long	438 lbs.	\$1,978
1302-08	Table and (2) Benches, 8' Long	489 lbs.	\$2,104
1303-06	6' Long Bench	114 lbs.	\$579
1303-08	8' Long Bench	127 lbs.	\$625
1307-RCP-SH	33-3/4" Tall x 26-3/4" Wide Square Receptacle with Side Opening	277 lbs.	\$1,486
1308-RCP	44-1/2" Tall x 38" Wide x 26-5/8" Depth Recycling Receptacle	317 lbs.	\$2,088
1351	Ash Receptacle	90 lbs.	\$684

All DuPont Circle Models are Surface Mount. Please select Powder Coat and Composite Plank Color when ordering.



Model 4408-06



Model 4401-06



Model 4405-06



Model 4406-06

The Blacksmith line provides old world charm with steel frame and faux wood.

Legs/Understructure:	Heavy Duty Steel
Seats:	4" x 4" Recycled Composite Plank
Finish:	Super Durable Powder Coat
Colors (page 2):	28 Powder Coat Colors 14 Recycled Composite Plank Colors

Model	Description	Weight	Price
4401-06	"Forge" 6' Bench with 2x4 Ends	125 lbs.	\$866
4401-08	"Forge" 8' Bench with 2x4 Ends	156 lbs.	\$1,050
4405-06	"Industrial" 6' Bench with 3" I Beam Ends	138 lbs.	\$788
4405-08	"Industrial" 8' Bench with 3" I Beam Ends	162 lbs.	\$945
4406-06	"Armor" 6' Bench with 4" Strap & Expanded Metal Ends	151 lbs.	\$735
4406-08	"Armor" 8' Bench with 4" Strap & Expanded Metal Ends	182 lbs.	\$893
4408-06	"Saxon" 6' Bench with 4" Strap & 3/4" X Rod Ends	153 lbs.	\$735
4408-08	"Saxon" 8' Bench with 4" Strap & 3/4" X Rod Ends	184 lbs.	\$893

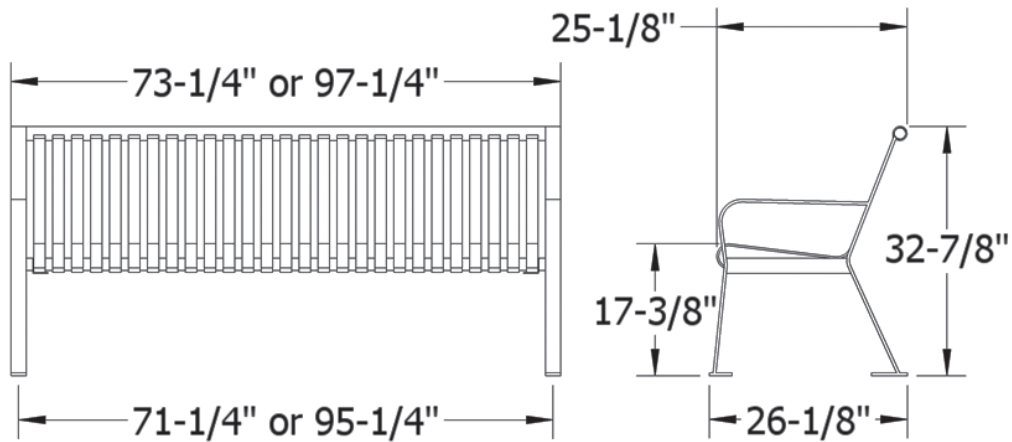
Please select Powder Coat and Composite Plank Color when ordering.



# 20 ARC SERIES



Model 3106



Legs/End Frames:	3/8" x 2" Heavy Duty Steel Strap
Seats/Backs:	3/16" x 1-1/2" Heavy Duty Steel Strap
Bench Understructure:	1-5/8" O.D. Heavy Duty Steel
Finish:	Super Durable Powder Coat
Colors (page 2):	28 Powder Coat Colors

Model	Description	Weight	Price
3106-06	6' Long Bench with Back	233 lbs.	\$954
3106-08	8' Long Bench with Back	249 lbs.	\$1,171



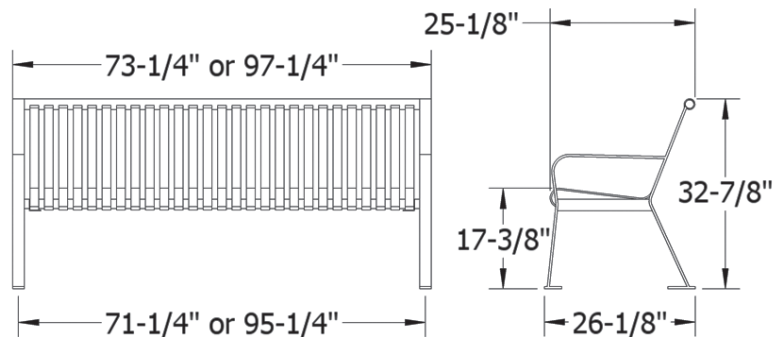
**Custom Logo Backs Available!**  
**Price Includes Logo Design and Conversion**

Email us your Logo to receive a drawing for production approval.

**Model 3108**

Legs/End Frames:  
 Seats/Backs:  
 Bench Understructure:  
 Finish:  
 Colors (page 2):

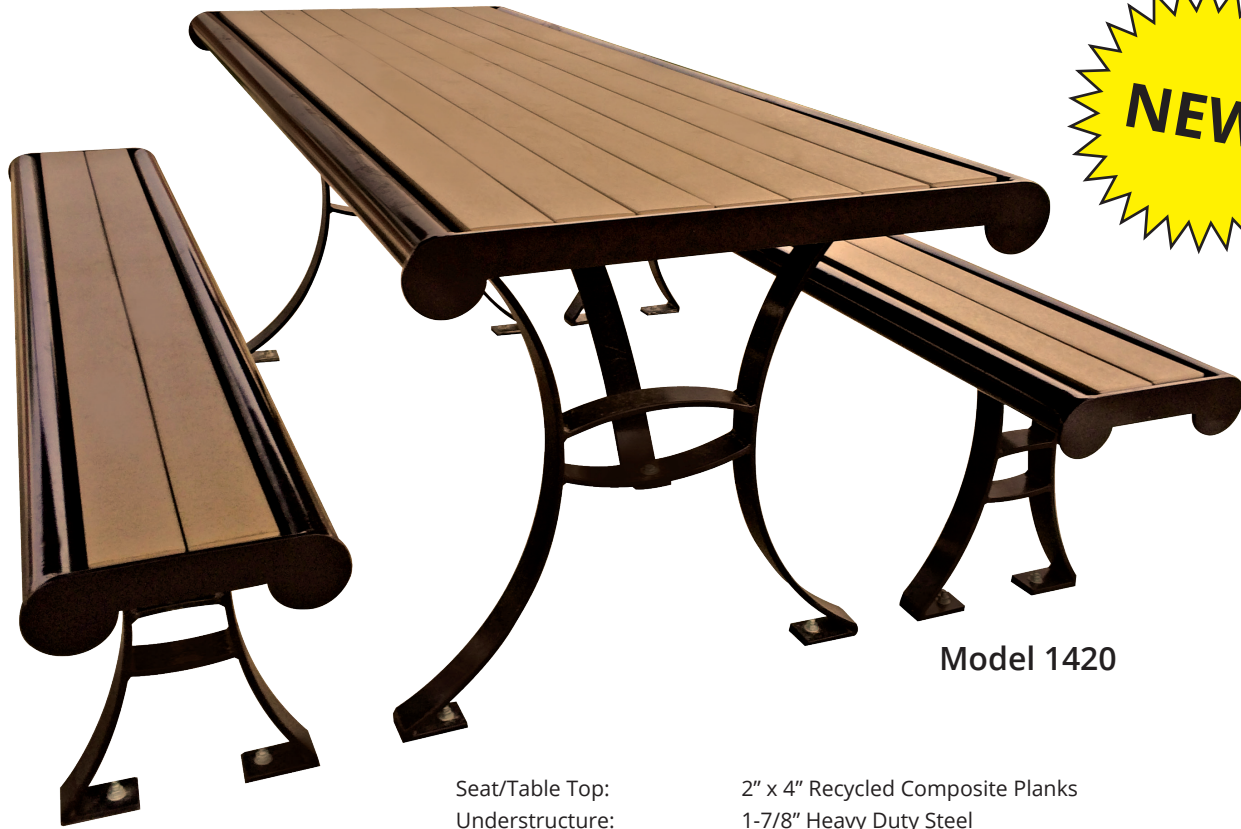
3/8" x 2" Heavy Duty Steel Strap  
 3/16" x 1-1/2" Heavy Duty Steel Strap  
 1-5/8" O.D. Heavy Duty Steel  
 Super Durable Powder Coat  
 28 Powder Coat Colors



Model	Description	Weight	Price
3108-06	6' Long Bench with Custom Logo Back	233 lbs.	\$1,129
3108-08	8' Long Bench with Custom Logo Back	249 lbs.	\$1,346

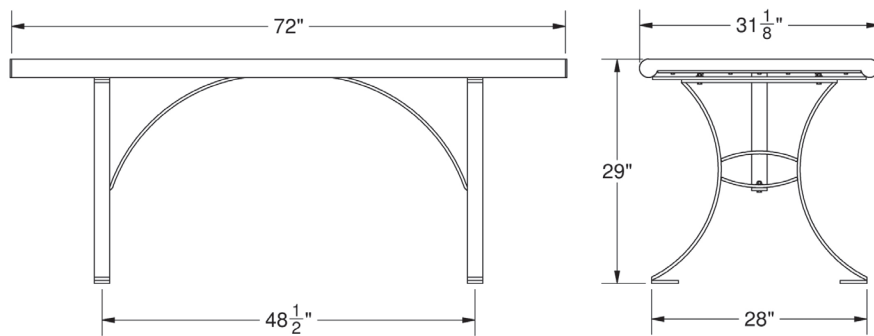


# PICNIC TABLES 22



Model 1420

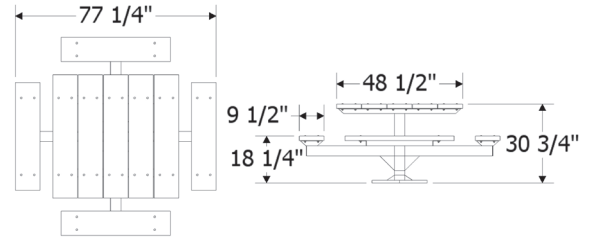
Seat/Table Top: 2" x 4" Recycled Composite Planks  
 Understructure: 1-7/8" Heavy Duty Steel  
 Legs: 3/8" x 2" Steel Bar  
 Hardware: Stainless Steel  
 Finish: Super Durable Powder Coat  
 Colors (page 2): 28 Powder Coat Colors, 14 Recycled Composite Plank Colors  
 Mounting: Surface



Model	Description	Weight	Price
1420-06	6' Long Table & Benches	465 lbs.	\$2,048
1420-08	8' Long Table & Benches	864 lbs.	\$2,573
1420-ADA	8' Long Table & 6' Long Benches	N/A	\$2,363

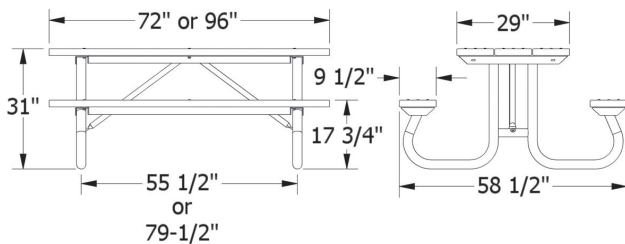
# 23 PICNIC TABLES

**Model 1144**



Seat/Table Top: 2" x 10" Recycled Composite Planks  
 Understructure: 4" x 4" Heavy Duty Steel Tube Seat. 2" x 4" Steel Tube Seat & Table Top Supports  
 Center Post: 4" x 4" Heavy Duty Steel Post  
 Hardware: Stainless Steel  
 Finish: Super Durable Powder Coat  
 Colors (page 2): 28 Powder Coat Colors, 14 Recycled Composite Plank Colors  
 Mounting: Surface or In-Ground

Model	Description	Weight	Price
1144-04	4' Long Table	426 lbs.	\$2,638
1144-04-ADA	ADA Option with 3 Seats Surface Mount Option	N/A	\$2,509 \$89



**Model 1120**

Seat/Table Top: 2" x 10" Recycled Composite Planks  
 Understructure: 2-3/8" Heavy Gauge Aluminum  
 Legs: 2-3/8" Galvanized Steel Tube  
 Hardware: Stainless Steel  
 Finish: Super Durable Powder Coat  
 Colors (page 2): 28 Powder Coat Colors, 14 Recycled Composite Plank Colors  
 Mounting: Portable (Anchors Available)

Model	Description	Weight	Price
1120-06	6' Long Table	250 lbs.	\$1,367
1120-08	8' Long Table	325 lbs.	\$1,687
1120-04-ADA	8' Long Table, 6' Bench	N/A	\$1,493
1121-ADA	12' Long Table, 1 Side with ADA Option	N/A	\$2,475



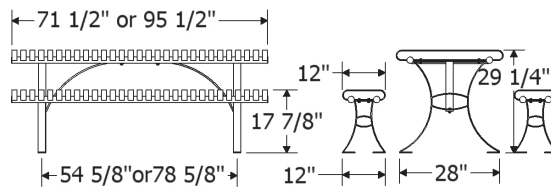
# PICNIC TABLES 24



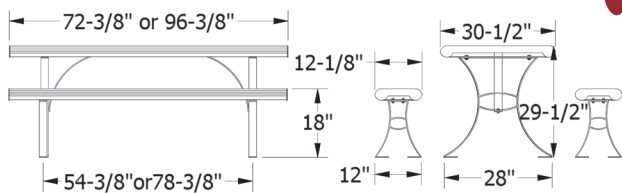
**Model 3120**

Seat/Table Top:  
Understructure:  
Legs:  
Hardware:  
Finish:  
Colors (page 2):  
Mounting:

1/4" X 1-1/2" Steel Strap  
1-7/8" Heavy Duty Steel  
3/8" x 2" Steel Bar  
Stainless Steel  
Super Durable Powder Coat  
28 Powder Coat Colors, 14 Recycled Composite Plank Colors  
Surface



Model	Description	Weight	Price
3120-06	6' Long Table & Benches	465 lbs.	\$1,874
3120-08	8' Long Table & Benches	864 lbs.	\$2,186
3120-ADA-08	8' Long Table, 6' Long Benches	N/A	\$2,186



Seat/Table Top:  
Understructure:  
Legs:  
Hardware:  
Finish:  
Colors (page 2):  
Mounting:

1/2" O.D. Solid Steel Rod  
2-3/8" Heavy Duty Steel Tube with 1-3/8" Steel Tube Cross Braces  
3/8" x 2" Steel Bar  
Stainless Steel  
Super Durable Powder Coat  
28 Powder Coat Colors, 14 Recycled Composite Plank Colors  
Surface



**Model 3220**

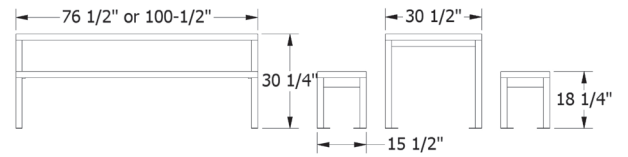
Model	Description	Weight	Price
3220-06	6' Long Table & Benches	430 lbs.	\$1,874
3220-08	8' Long Table & Benches	750 lbs.	\$2,186
3220-ADA-08	8' Long Table, 6' Bench	N/A	\$2,186

# 25 PICNIC TABLES



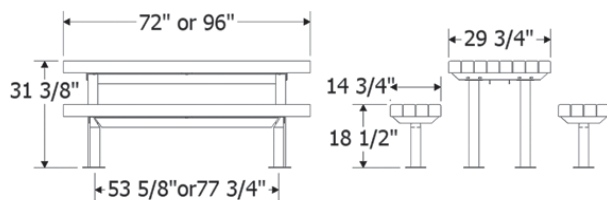
**Model 1302**

Seat/Table Top:  
Understructure:  
Legs:  
Hardware:  
Finish:  
Colors (page 2):  
Mounting:



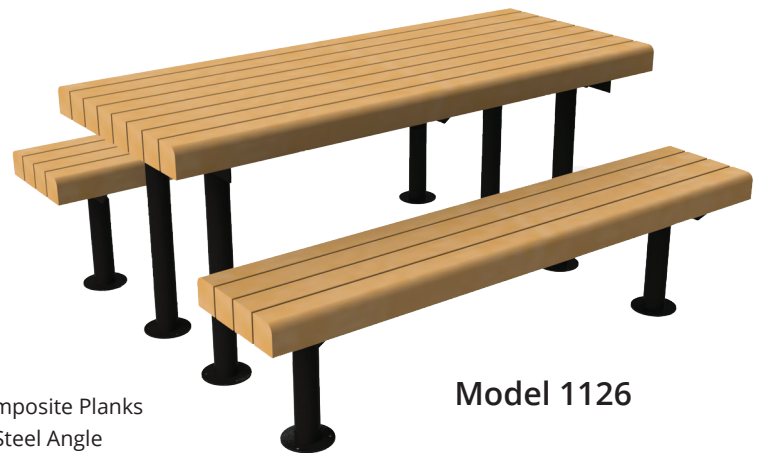
2" x 4" Recycled Composite Planks  
2" x 2" Square Steel Tube  
2" x 2" Square Steel Tube  
Stainless Steel  
Super Durable Powder Coat  
28 Powder Coat Colors, 14 Recycled Composite Plank Colors  
Surface

Model	Description	Weight	Price
1302-06	6' Long Table & Benches	438 lbs.	\$1,978
1302-08	8' Long Table & Benches	489 lbs.	\$2,104
1302-ADA	8' Long Table, 6' Benches	N/A	\$2,035
1303-06	6' Long Bench	114 lbs.	\$579
1303-08	8' Long Bench	127 lbs.	\$625



Seat/Table Top:  
Understructure:  
Legs:  
Hardware:  
Finish:  
Colors (page 2):  
Mounting:

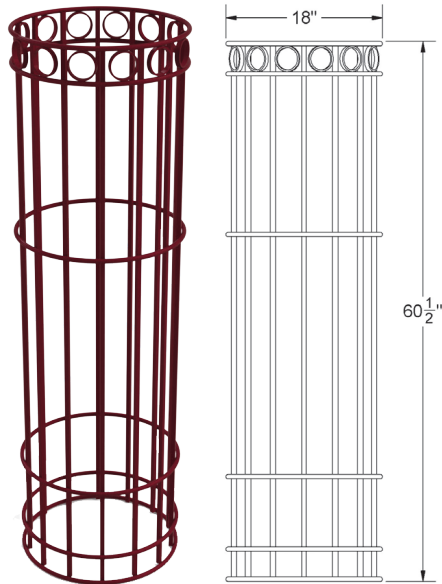
4" x 4" Recycled Composite Planks  
2" x 3" Heavy Duty Steel Angle  
2-7/8" O.D. Heavy Duty Steel Tube  
Stainless Steel  
Super Durable Powder Coat  
28 Powder Coat Colors, 14 Recycled Composite Plank Colors  
Surface or In-Ground



**Model 1126**

Model	Description	Weight	Price
1126-06	6' Long Table & Benches	510 lbs.	\$2,278
1126-08	8' Long Table & Benches	643 lbs.	\$2,507
1126-ADA-08	8' Long Table, & 6' Benches	N/A	\$2,507

# TREE GUARDS 26



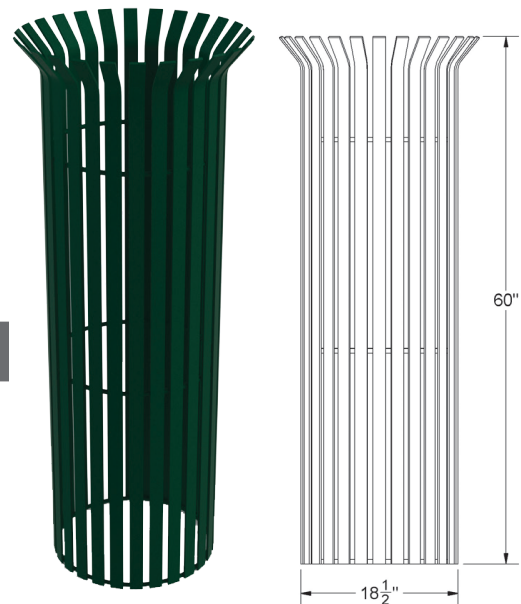
Crown: 2-7/8" Tube & 1/2" O.D. Steel Rod  
 Sides: 1/2" O.D. Steel Rod  
 Rings: 1/2" O.D. Steel Rod  
 Finish: Super Durable Powder Coat  
 Colors (page 2): 28 Powder Coat Colors  
 Mounting: Surface

Model	Description	Weight	Price
3260-18	60.5" Height	71 lbs.	\$519

**Model 3260**

Sides: 1/4" x 1-1/2" Flat Bar  
 Rings: 1/2" O.D. Solid Rod  
 Finish: Super Durable Powder Coat  
 Colors (page 2): 28 Powder Coat Colors  
 Mounting: Surface

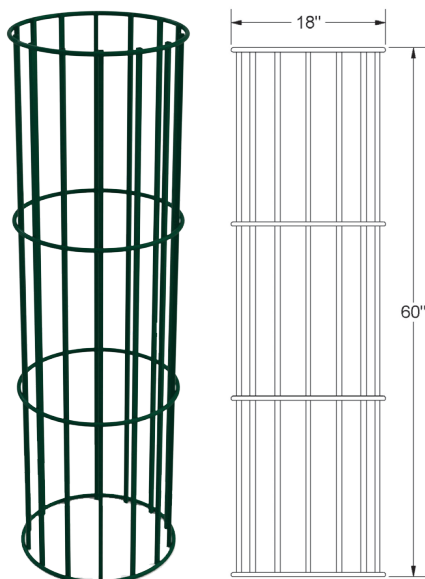
Model	Description	Weight	Price
3160-18	60" Height	162 lbs.	\$519



**Model 3160**

Sides: 1/2" O.D. Solid Rod  
 Rings: 1/2" O.D. Solid Rod  
 Finish: Super Durable Powder Coat  
 Colors (page 2): 28 Powder Coat Colors  
 Mounting: Surface

Model	Description	Weight	Price
3261-18	60" Height	39 lbs.	\$390

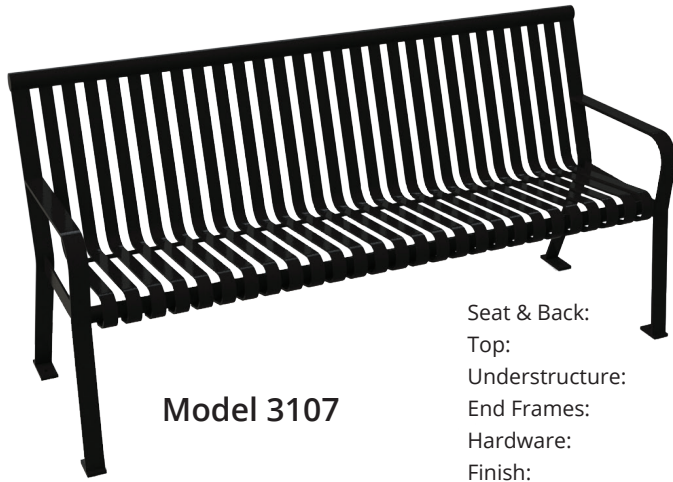


**Model 3261**



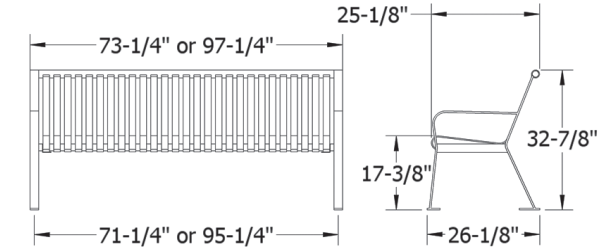
# 27

# BENCHES



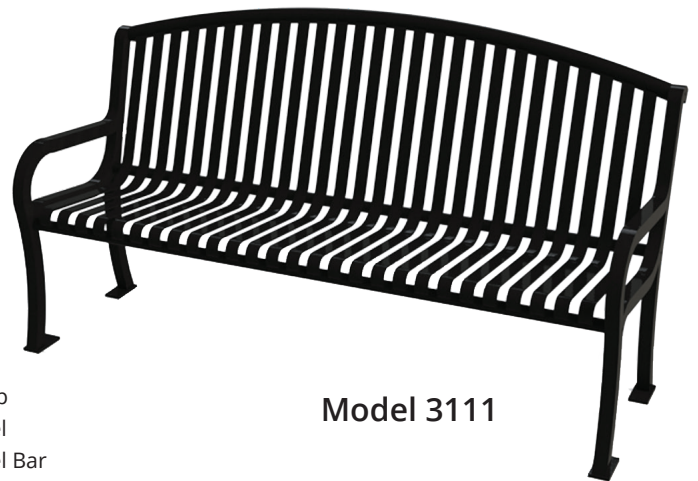
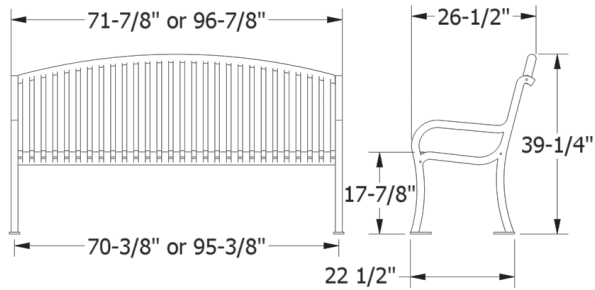
**Model 3107**

Seat & Back:  
Top:  
Understructure:  
End Frames:  
Hardware:  
Finish:  
Colors (page 2):  
Mounting:



1-1/2" x 1/4" Steel Strap  
1-7/8" Heavy Duty Steel  
1-5/8" Heavy Duty Steel Bar  
3/8" x 2" Steel Bar  
Stainless Steel  
Super Durable Powder Coat  
28 Powder Coat Colors, 14 Recycled Composite Plank Colors  
Surface

Model	Description	Weight	Price
3107-06	6' Long Bench	233 lbs.	\$1,212
3107-08	8' Long Bench	249 lbs.	\$1,452
3107-ARM	Arm Rest Option for Center of Bench	N/A	\$69



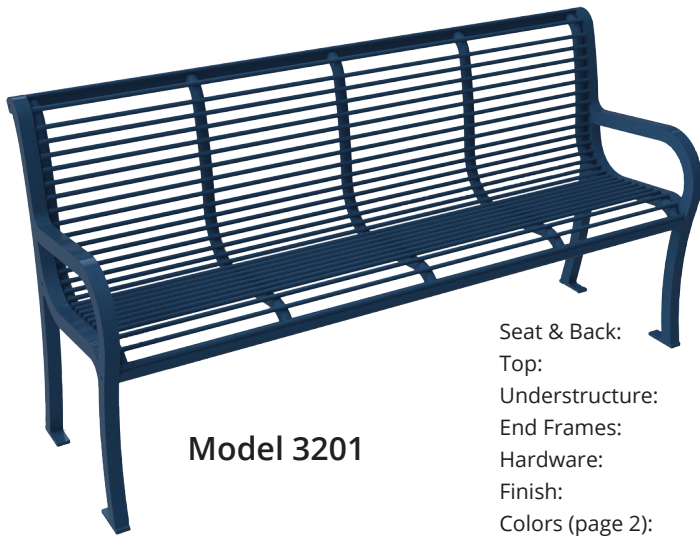
**Model 3111**

Seat & Back: 1-1/2" x 1/4" Steel Strap  
Top: 1-7/8" Heavy Duty Steel  
Understructure: 1-5/8" Heavy Duty Steel Bar  
End Frames: 1-1/2" Cast Aluminum  
Hardware: Stainless Steel  
Finish: Super Durable Powder Coat  
Colors (page 2): 28 Powder Coat Colors, 14 Recycled Composite Plank Colors  
Mounting: Surface

Model	Description	Weight	Price
3111-06	6' Long Bench	210 lbs.	\$1,392
3111-08	8' Long Bench	264 lbs.	\$1,626
3111-ARM	Arm Rest Option for Center of Bench	N/A	\$69

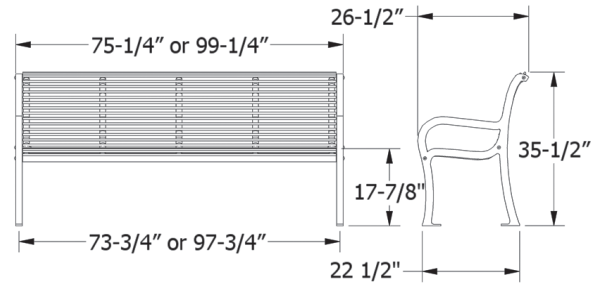
# BENCHES

# 28



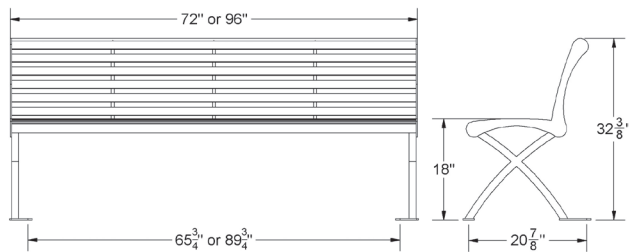
**Model 3201**

Seat & Back:  
Top:  
Understructure:  
End Frames:  
Hardware:  
Finish:  
Colors (page 2):  
Mounting:



1/2" O.D. Solid Steel Rod  
1-5/8" Heavy Duty Steel  
1-5/8" Heavy Duty Steel Bar  
1-1/2" Cast Aluminum  
Stainless Steel  
Super Durable Powder Coat  
28 Powder Coat Colors, 14 Recycled Composite Plank Colors  
Surface

Model	Description	Weight	Price
3201-06	6' Long Bench	226 lbs.	\$1,392
3201-08	8' Long Bench	249 lbs.	\$1,620
3201-ARM	Arm Rest Option for Center of Bench	N/A	\$69



Seat & Back:  
Top:  
Understructure:  
Hardware:  
Finish:  
Colors (page 2):  
Mounting:

1-1/2" x 1/4" Steel Strap  
1-5/8" O.D. Heavy Duty Steel Tube  
1-1/4" x 1-1/4" Solid Square Bar  
Stainless Steel  
Super Durable Powder Coat  
28 Powder Coat Colors, 14 Recycled Composite Plank Colors  
Surface

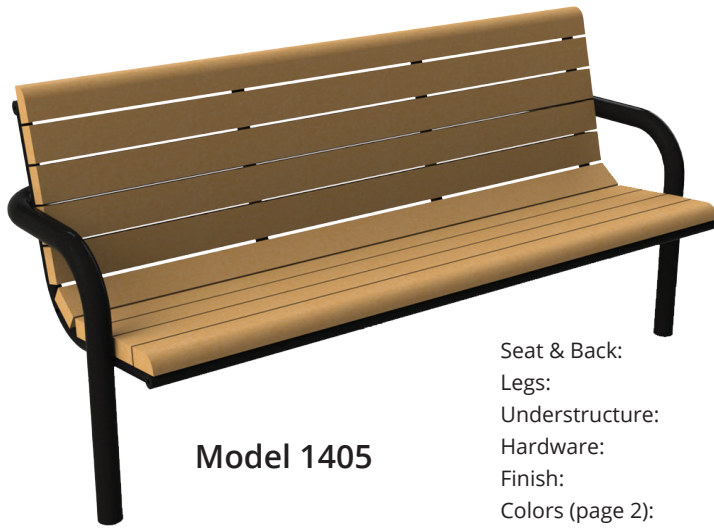


**Model 3102**

Model	Description	Weight	Price
3102-06	6' Long Bench	188 lbs.	\$786
3102-08	8' Long Bench	244 lbs.	\$870

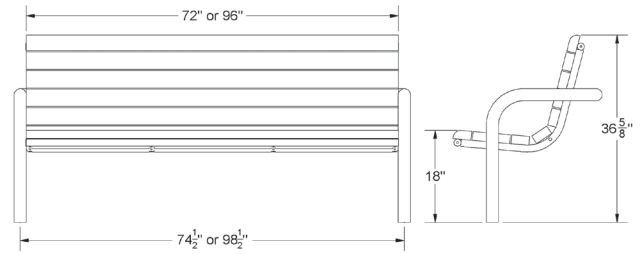
# 29

# BENCHES



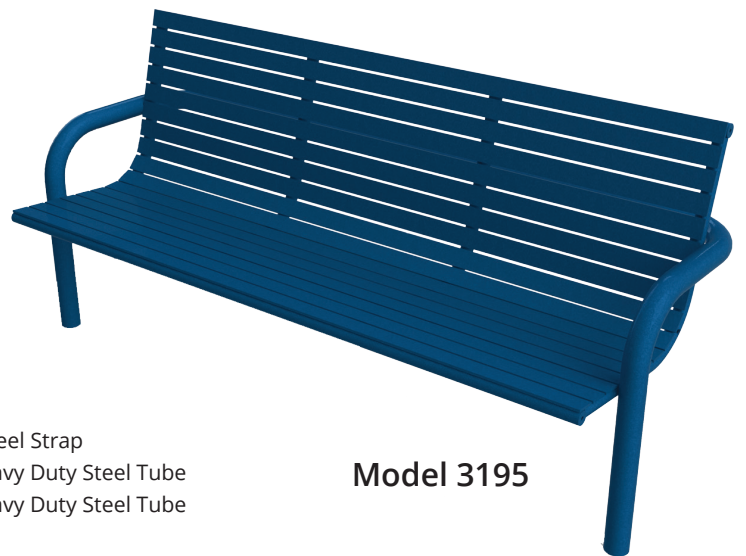
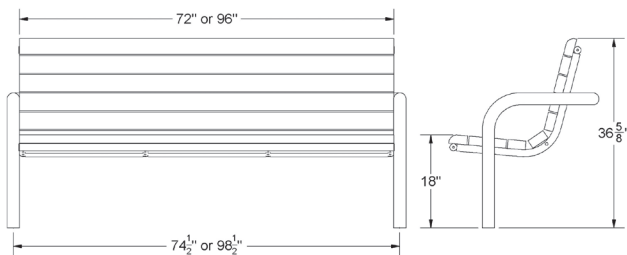
**Model 1405**

Seat & Back:  
 Legs:  
 Understructure:  
 Hardware:  
 Finish:  
 Colors (page 2):  
 Mounting:



2" x 4" Recycled Composite Planks  
 2-3/8" O.D. Heavy Duty Steel Tube  
 1-3/8" O.D. Heavy Duty Steel Tube  
 Stainless Steel  
 Super Durable Powder Coat  
 28 Powder Coat Colors, 14 Recycled Composite Plank Colors  
 In-Ground

Model	Description	Weight	Price
1405-06	6' Long Bench	357 lbs.	\$1,198
1405-08	8' Long Bench	394 lbs.	\$1,451



**Model 3195**

Seat & Back:  
 Legs:  
 Understructure:  
 Hardware:  
 Finish:  
 Colors (page 2):  
 Mounting:

1-1/2" x 1/4" Steel Strap  
 2-3/8" O.D. Heavy Duty Steel Tube  
 1-3/8" O.D. Heavy Duty Steel Tube  
 Stainless Steel  
 Super Durable Powder Coat  
 28 Powder Coat Colors, 14 Recycled Composite Plank Colors  
 In-Ground

Model	Description	Weight	Price
3195-06	6' Long Bench	385 lbs.	\$943
3195-08	8' Long Bench	394 lbs.	\$1,101



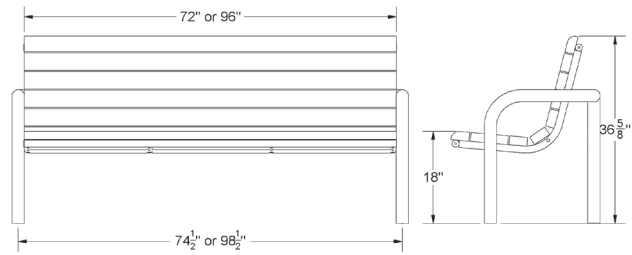
# BENCHES

# 30



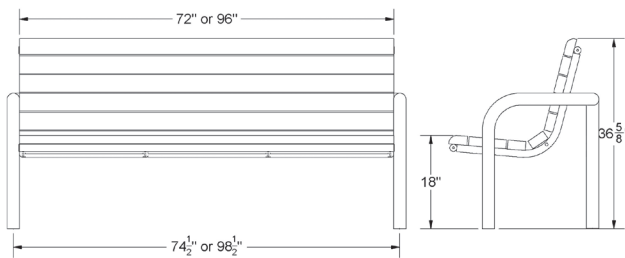
**Model 1406**

Seat & Back:  
 Legs:  
 Understructure:  
 Hardware:  
 Finish:  
 Colors (page 2):  
 Mounting:



2" x 4" Recycled Composite Planks  
 2-3/8" O.D. Heavy Duty Steel Tube  
 1-3/8" O.D. Heavy Duty Steel Tube  
 Stainless Steel  
 Super Durable Powder Coat  
 28 Powder Coat Colors, 14 Recycled Composite Plank Colors  
 Surface or In-Ground

Model	Description	Weight	Price
1406-06	6' Long Bench	382 lbs.	\$1,307
1406-08	8' Long Bench	418 lbs.	\$1,558



**Model 3196**

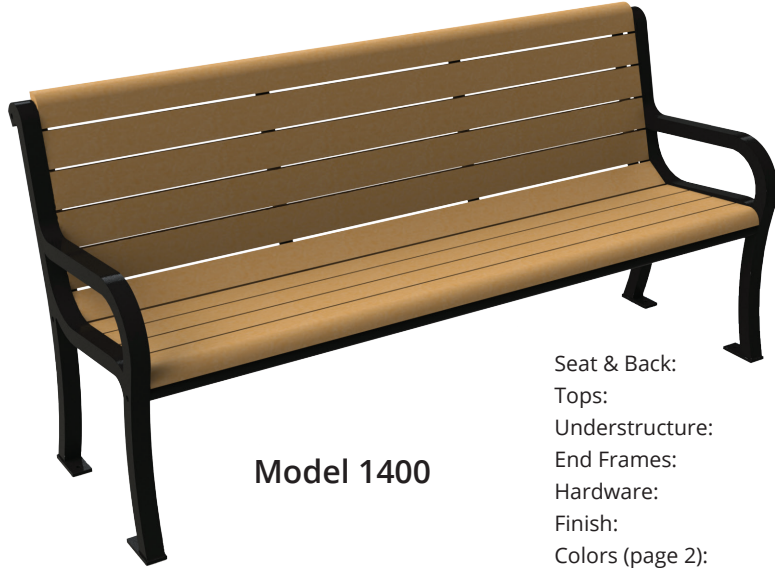
Seat & Back:  
 Legs:  
 Understructure:  
 Hardware:  
 Finish:  
 Colors (page 2):  
 Mounting:

1-1/2" x 1/4" Steel Strap  
 2-3/8" O.D. Heavy Duty Steel Tube  
 1-3/8" O.D. Heavy Duty Steel Tube  
 Stainless Steel  
 Super Durable Powder Coat  
 28 Powder Coat Colors, 14 Recycled Composite Plank Colors  
 Surface or In-Ground

Model	Description	Weight	Price
3196-06	6' Long Bench	410 lbs.	\$821
3196-08	8' Long Bench	418 lbs.	\$885

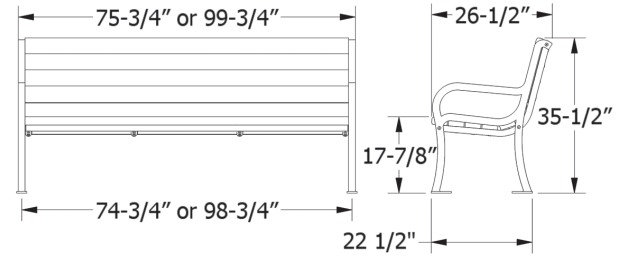
# 31

# BENCHES



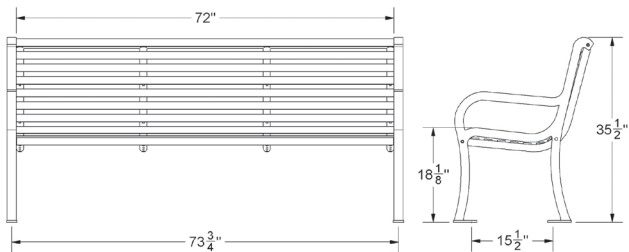
**Model 1400**

Seat & Back:  
Tops:  
Understructure:  
End Frames:  
Hardware:  
Finish:  
Colors (page 2):  
Mounting:



2" x 4" Recycled Composite Planks  
1-3/8" Heavy Duty Steel  
1-3/8" Heavy Duty Steel  
1-1/2" Cast Aluminum  
Stainless Steel  
Super Durable Powder Coat  
28 Powder Coat Colors, 14 Recycled Composite Plank Colors  
Surface

Model	Description	Weight	Price
1400-06	6' Long Bench	355 lbs.	\$1,488
1400-08	8' Long Bench	385 lbs.	\$1,895



**Model 3190**

Seat & Back:  
Tops:  
Understructure:  
End Frames:  
Hardware:  
Finish:  
Colors (page 2):  
Mounting:

1-1/2" x 1/4" Steel Strap  
1-3/8" Heavy Duty Steel  
1-3/8" Heavy Duty Steel  
1-1/2" Cast Aluminum  
Stainless Steel  
Super Durable Powder Coat  
28 Powder Coat Colors, 14 Recycled Composite Plank Colors  
Surface

Model	Description	Weight	Price
3190-06	6' Long Bench	383 lbs.	\$1,425
3190-08	8' Long Bench	422 lbs.	\$1,519

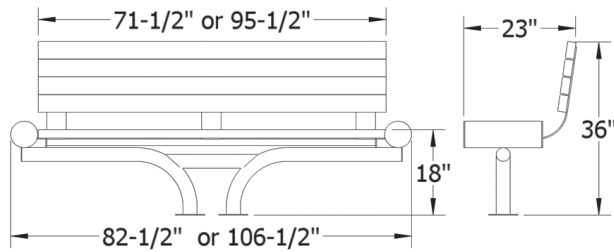
# BENCHES

# 32

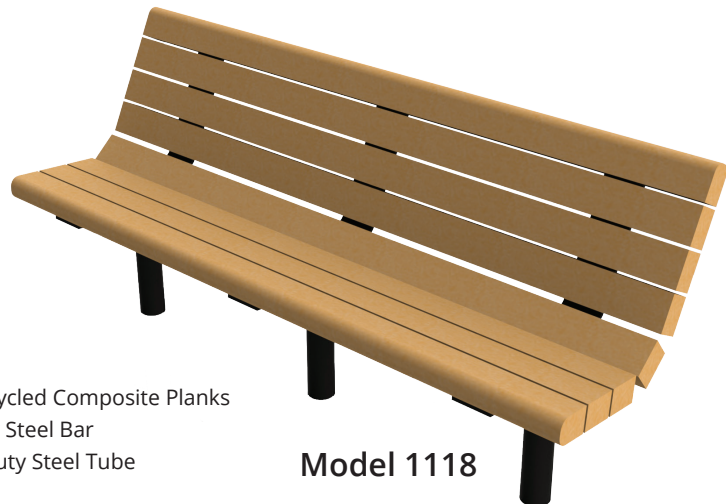
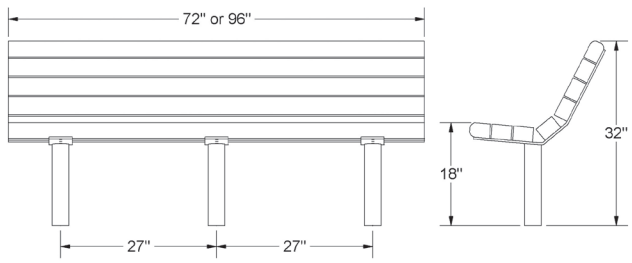


**Model 1111**

Seat & Back: 2" x 4" Recycled Composite Plank  
 Understructure: 2-3/8" Heavy Duty Steel Angle with 1-3/8" Steel Tube  
 Legs: 2-7/8" O.D. Heavy Duty Steel Tube  
 End Frames: 5-9/16" O.D. Heavy Duty Steel Tube  
 Hardware: Stainless Steel  
 Finish: Super Durable Powder Coat  
 Colors (page 2): 28 Powder Coat Colors, 14 Recycled Composite Plank Colors  
 Mounting: Surface or In-Ground



Model	Description	Weight	Price
1111-06	6' Long Bench	215 lbs.	\$1,285
1111-08	8' Long Bench	275 lbs.	\$1,412
1111-ARM	Arm Rest Option for Center of Bench	N/A	\$69



**Model 1118**

Seat & Back: 2" x 4" or 3" x 4" Recycled Composite Planks  
 Understructure: 4" x 3/8" Heavy Duty Steel Bar  
 Legs: 2-7/8" O.D. Heavy Duty Steel Tube  
 Hardware: Stainless Steel  
 Finish: Super Durable Powder Coat  
 Colors (page 2): 28 Powder Coat Colors, 14 Recycled Composite Plank Colors  
 Mounting: Surface or In-Ground

Model	Description	Weight	Price
1118-16	6' Long Bench with 2" x 4" Composite Planks	211 lbs.	\$768
1118-18	8' Long Bench with 2" x 4" Composite Planks	236 lbs.	\$891
1118-06	6' Long Bench with 3" x 4" Composite Planks	261 lbs.	\$995
1118-08	8' Long Bench with 3" x 4" Composite Planks	303 lbs.	\$1,206

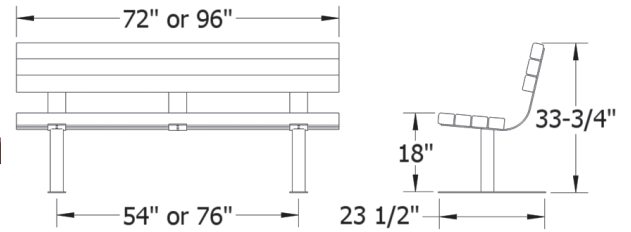


# 33

# BENCHES

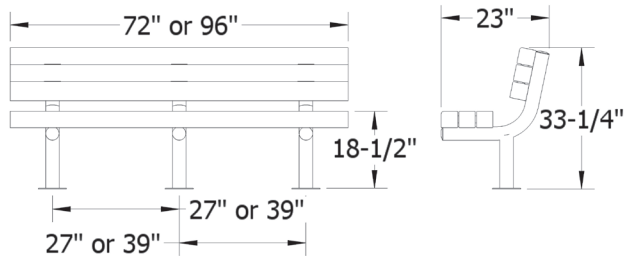


**Model 1113**  
Shown with  
M4 Surface Mount



Seat & Back: 3" x 4" Recycled Composite Plank  
 Understructure: 3/8" x 4" Heavy Duty Steel Bar  
 Legs: 2-7/8" & 5-9/16" O.D. Heavy Duty Steel Tube  
 Hardware: Stainless Steel  
 Finish: Super Durable Powder Coat  
 Colors (page 2): 28 Powder Coat Colors, 14 Recycled Composite Plank Colors  
 Mounting: Surface or In-Ground

Model	Description	Weight	Price
1113-04	4' Long Bench	190 lbs.	\$695
1113-06	6' Long Bench	210 lbs.	\$847
1113-08	8' Long Bench	275 lbs.	\$1,036
1113-ARM	Arm Rest Option for Center or End of Bench	N/A	\$69



**Model 1112**  
Shown with  
M3 Surface Mount

Seat & Back: 4" x 4" Recycled Composite Plank  
 Understructure: 2-7/8" O.D. Heavy Duty Steel Tube  
 Legs: 2-7/8" O.D. Heavy Duty Steel Tube  
 Hardware: Stainless Steel  
 Finish: Super Durable Powder Coat  
 Colors (page 2): 28 Powder Coat Colors, 14 Recycled Composite Plank Colors  
 Mounting: Surface or In-Ground

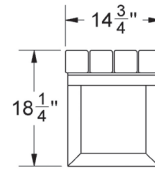
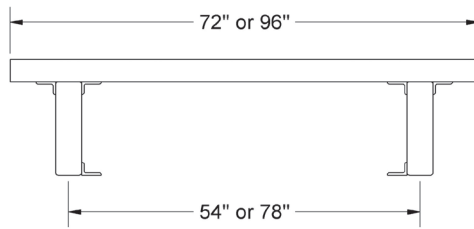
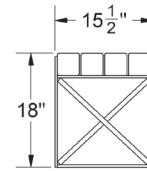
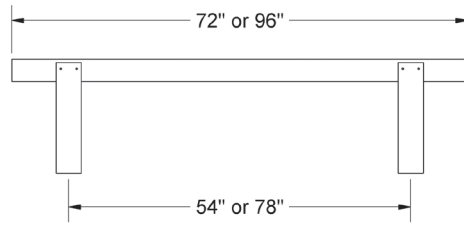
Model	Description	Weight	Price
1112-06	6' Long Bench	215 lbs.	\$879
1112-08	8' Long Bench	254 lbs.	\$1,135

# BENCHES

# 34



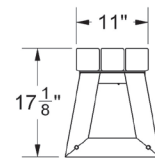
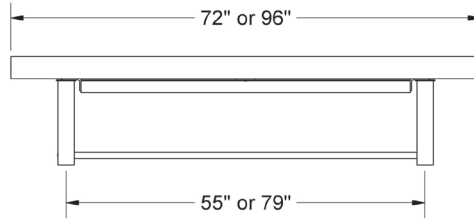
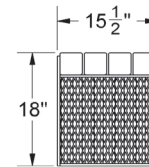
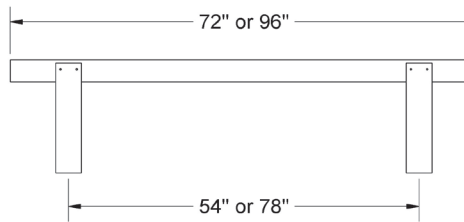
Model 4408



Model 4401



Model 4406



Model 4405

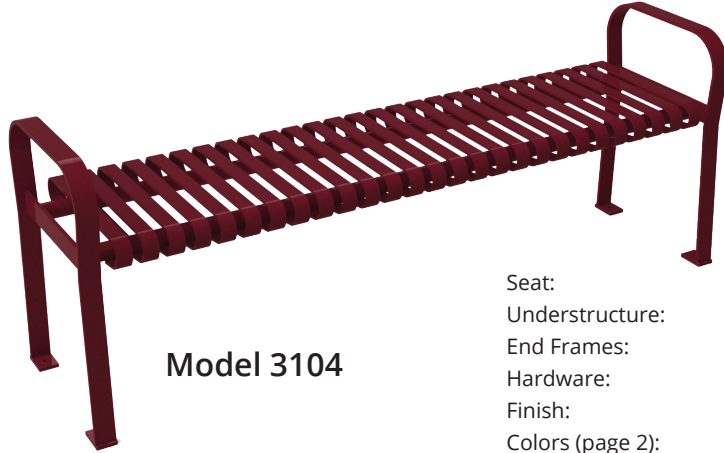
Seat & Back: 4" x 4" Recycled Composite Plank  
 Frame/Understructure: Heavy Duty Steel  
 Hardware: Stainless Steel  
 Finish: Super Durable Powder Coat  
 Colors (page 2): 28 Powder Coat Colors  
 14 Recycled Composite Plank Colors

Model	Description	Weight	Price
4401-06	"Forge" 6' Bench with 2x4 Ends	125 lbs.	\$866
4401-08	"Forge" 8' Bench with 2x4 Ends	156 lbs.	\$1,050
4405-06	"Industrial" 6' Bench with 3" I Beam Ends	138 lbs.	\$788
4405-08	"Industrial" 8' Bench with 3" I Beam Ends	162 lbs.	\$945
4406-06	"Armor" 6' Bench with 4" Strap & Expanded Metal Ends	151 lbs.	\$735
4406-08	"Armor" 8' Bench with 4" Strap & Expanded Metal Ends	182 lbs.	\$893
4408-06	"Saxon" 6' Bench with 4" Strap & 3/4" X Rod Ends	153 lbs.	\$735
4408-08	"Saxon" 8' Bench with 4" Strap & 3/4" X Rod Ends	184 lbs.	\$893

Please select Powder Coat and Composite Plank Color when ordering.

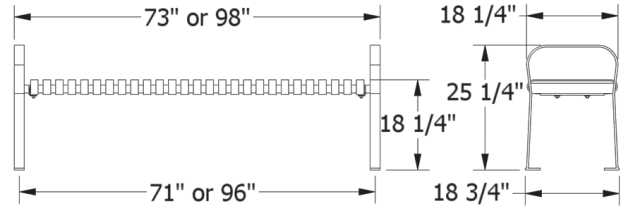
# 35

# BENCHES

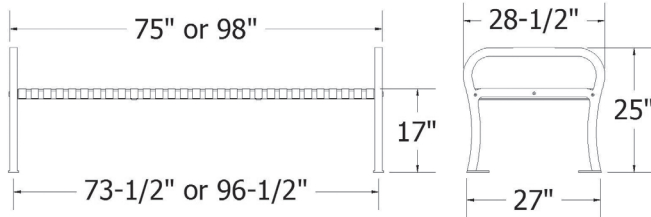


**Model 3104**

Seat: 1-1/2" x 1/4" Steel Strap  
 Understructure: 1-5/8" O.D. Heavy Duty Steel  
 End Frames: 3/8" x 2" Steel Bar  
 Hardware: Stainless Steel  
 Finish: Super Durable Powder Coat  
 Colors (page 2): 28 Powder Coat Colors, 14 Recycled Composite Plank Colors  
 Mounting: Surface



Model	Description	Weight	Price
3104-06	6' Long Bench	233 lbs.	\$767
3104-08	8' Long Bench	249 lbs.	\$1,057
3104-ARM	Arm Rest Option for Center of Bench	N/A	\$69

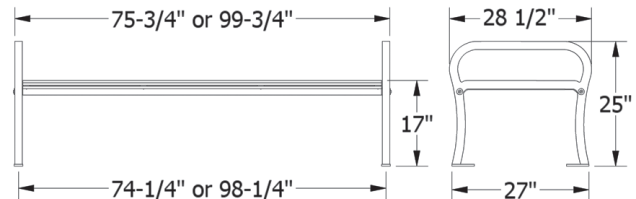


**Model 3113**



**Model 3205**

Seat: 1-1/2" x 1/4" Steel Strap (3113), 1/2" O.D. Steel Rod (3205)  
 Understructure: 1-3/8" Heavy Duty Steel (3113), 1-5/8" Heavy Duty Steel (3205)  
 End Frames: 1-1/2" Cast Aluminum  
 Hardware: Stainless Steel  
 Finish: Super Durable Powder Coat  
 Colors (page 2): 28 Powder Coat Colors  
 Mounting: Surface

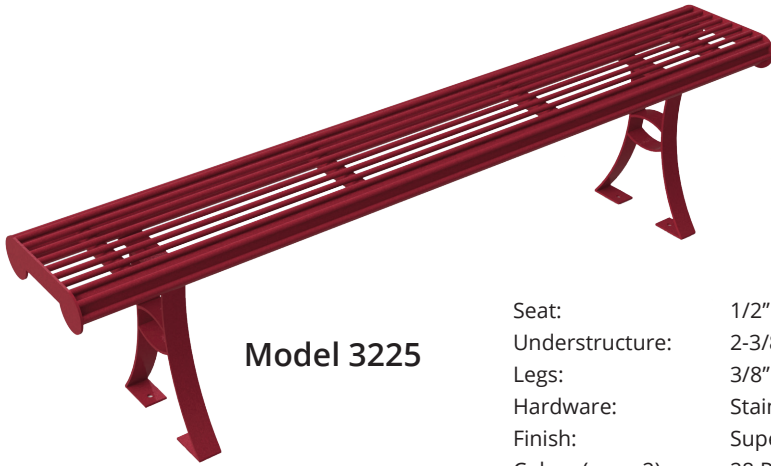


Model	Description	Weight	Price
3113-06	6' Long Bench	187 lbs.	\$1,322
3113-08	8' Long Bench	199 lbs.	\$1,563
3205-06	6' Long Bench	149 lbs.	\$1,453
3205-08	8' Long Bench	162 lbs.	\$1,729

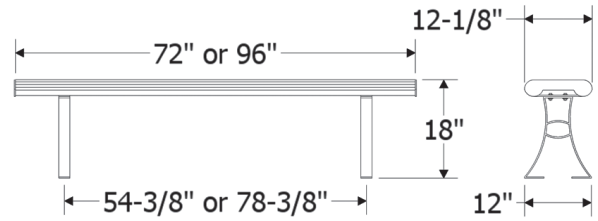


# BENCHES

# 36

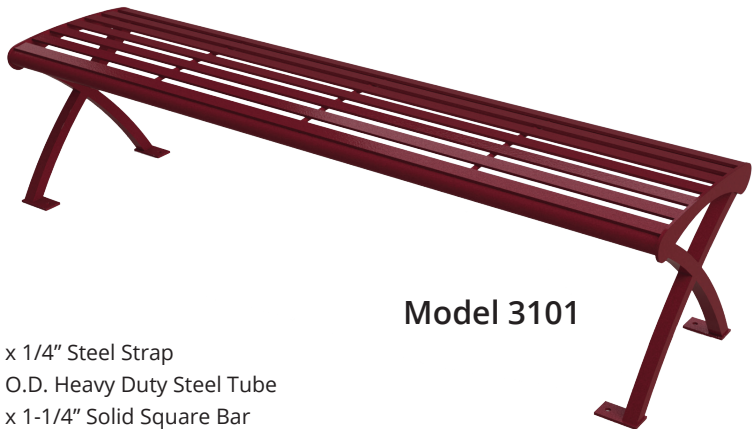
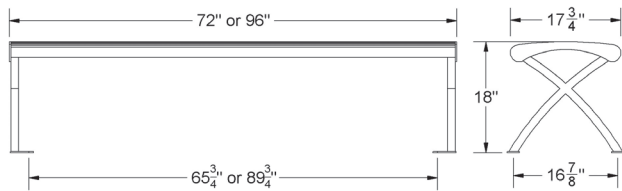


**Model 3225**



Seat: 1/2" O.D. Steel Rod  
 Understructure: 2-3/8" O.D. Heavy Duty Steel Tube with 1-3/8" O.D. Steel Cross Braces  
 Legs: 3/8" x 2" Steel Bar  
 Hardware: Stainless Steel  
 Finish: Super Durable Powder Coat  
 Colors (page 2): 28 Powder Coat Colors, 14 Recycled Composite Plank Colors  
 Mounting: Surface or In-Ground

Model	Description	Weight	Price
3225-06	6' Long Bench	107 lbs.	\$958
3225-08	8' Long Bench	141 lbs.	\$1,048



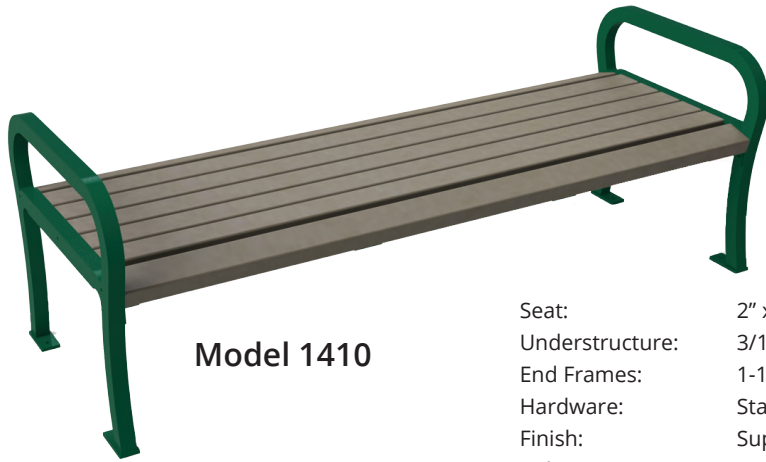
**Model 3101**

Seat: 1-1/2" x 1/4" Steel Strap  
 Understructure: 1-5/8" O.D. Heavy Duty Steel Tube  
 Legs: 1-1/4" x 1-1/4" Solid Square Bar  
 Finish: Super Durable Powder Coat  
 Colors (page 2): 28 Powder Coat Colors, 14 Recycled Composite Plank Colors  
 Mounting: Surface or In-Ground

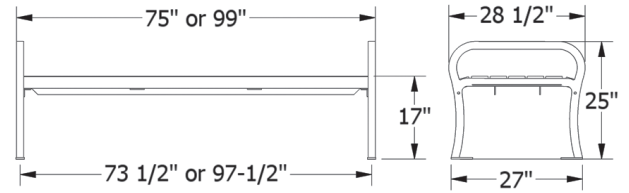
Model	Description	Weight	Price
3101-06	6' Long Bench	233 lbs.	\$513
3101-08	8' Long Bench	249 lbs.	\$618

# 37

# BENCHES

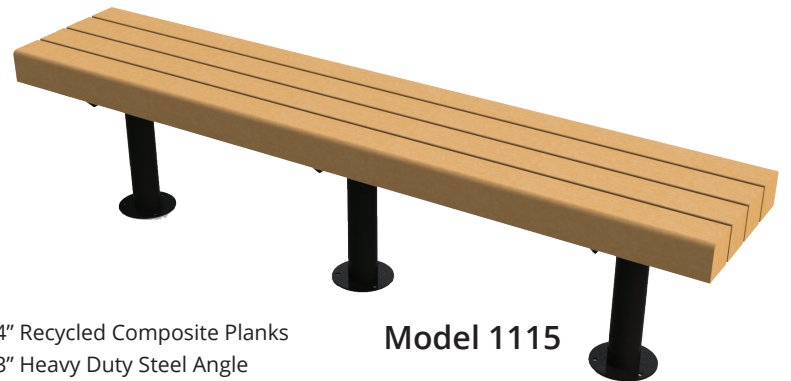
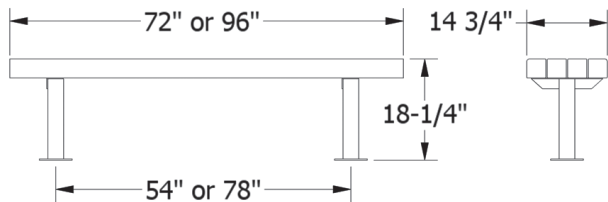


**Model 1410**



Seat: 2" x 4" Recycled Composite Planks  
 Understructure: 3/16" & 3/8" Heavy Duty Steel  
 End Frames: 1-1/2" Cast Aluminum  
 Hardware: Stainless Steel  
 Finish: Super Durable Powder Coat  
 Colors (page 2): 28 Powder Coat Colors, 14 Recycled Composite Plank Colors  
 Mounting: Surface

Model	Description	Weight	Price
1410-06	6' Long Bench	210 lbs.	\$1,153
1410-08	8' Long Bench	240 lbs.	\$1,368



**Model 1115**

Seat: 4" x 4" Recycled Composite Planks  
 Understructure: 2" x 3" Heavy Duty Steel Angle  
 Legs: 2-7/8" Heavy Duty Steel Tube  
 Finish: Super Durable Powder Coat  
 Colors (page 2): 28 Powder Coat Colors, 14 Recycled Composite Plank Colors  
 Mounting: Surface or In-Ground

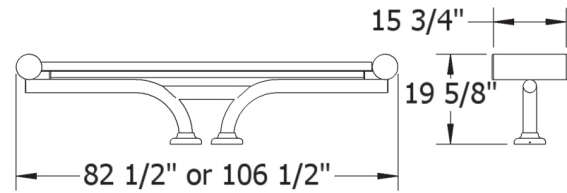
Model	Description	Weight	Price
1115-06	6' Long Bench	132 lbs.	\$670
1115-08	8' Long Bench	151 lbs.	\$760

# BENCHES

# 38

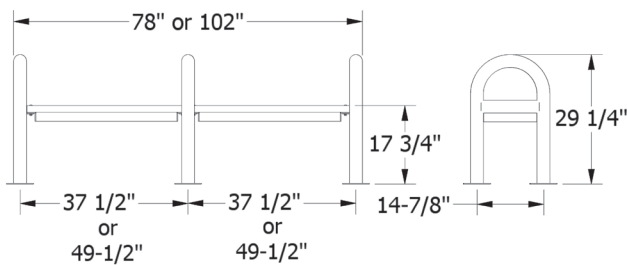


**Model 1110**



Seat: 2" x 4" Recycled Composite Planks  
 Understructure: 2-3/8" O.D. Heavy Duty Steel Angle with 1-3/8" O.D. Steel Tube  
 End Frames: 5-9/16" O.D. Steel Tube  
 Legs: 2-7/8" O.D. Heavy Duty Steel Tube  
 Hardware: Stainless Steel  
 Finish: Super Durable Powder Coat  
 Colors (page 2): 28 Powder Coat Colors, 14 Recycled Composite Plank Colors  
 Mounting: Surface or In-Ground

Model	Description	Weight	Price
1110-06	6' Long Bench	150 lbs.	\$1,050
1110-08	8' Long Bench	200 lbs.	\$1,200



**Model 1102**

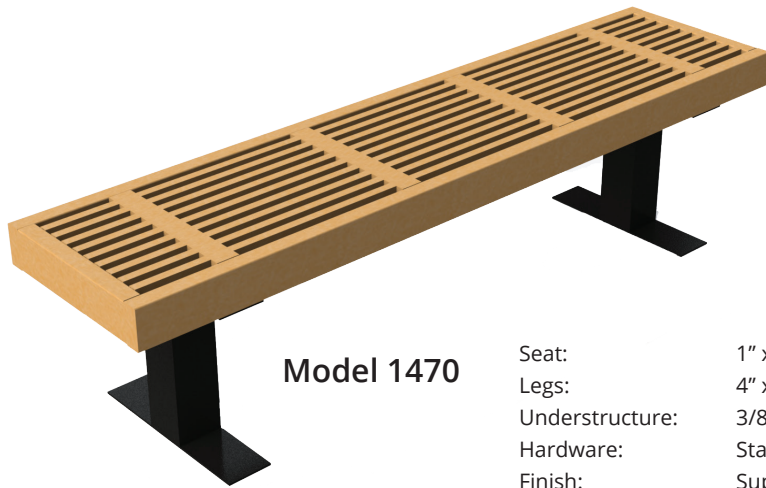
Seat: 2" x 10" Recycled Composite Planks  
 Understructure: 2" x 3" O.D. Heavy Duty Steel Angle  
 Legs: 2-7/8" O.D. Heavy Duty Steel Tube  
 Hardware: Stainless Steel  
 Finish: Super Durable Powder Coat  
 Colors (page 2): 28 Powder Coat Colors, 14 Recycled Composite Plank Colors  
 Mounting: Surface or In-Ground

Model	Description	Weight	Price
1102-06	6' Long Bench	110 lbs.	\$889
1102-08	8' Long Bench	200 lbs.	\$971



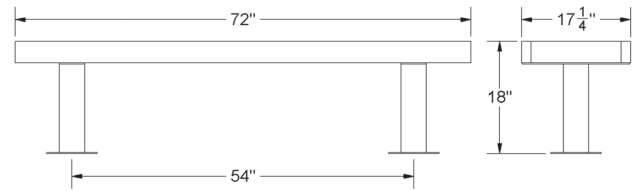
# 39

# BENCHES

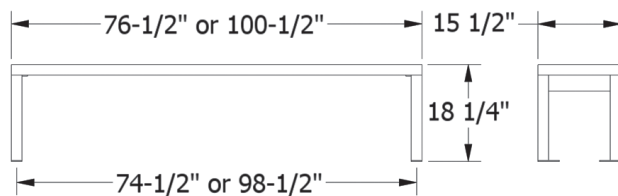


**Model 1470**

Seat: 1" x 4" & 2" x 4" Recycled Composite Planks  
 Legs: 4" x 4" Square Steel Tube  
 Understructure: 3/8" x 4" Heavy Duty Steel Bar  
 Hardware: Stainless Steel  
 Finish: Super Durable Powder Coat  
 Colors (page 2): 28 Powder Coat Colors, 14 Recycled Composite Plank Colors  
 Mounting: Surface or In-Ground



Model	Description	Weight	Price
1470-06	6' Long Bench	109 lbs.	\$828
1470-08	8' Long Bench with additional 3rd Support Leg	149 lbs.	\$1,037



**Model 1303**

Seat: 2" x 4" Recycled Composite Planks  
 Understructure: 2" x 2" Square Steel Tube  
 Legs: 2" x 2" Square Steel Tube  
 Hardware: Stainless Steel  
 Finish: Super Durable Powder Coat  
 Colors (page 2): 28 Powder Coat Colors, 14 Recycled Composite Plank Colors  
 Mounting: Surface

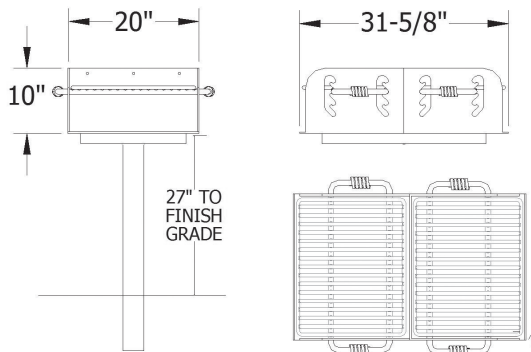
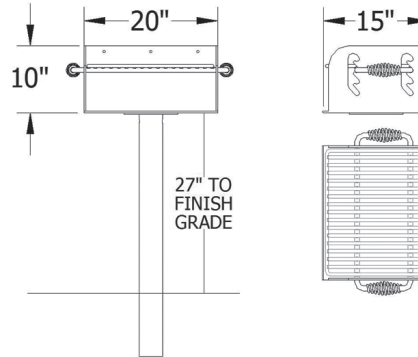
Model	Description	Weight	Price
1303-06	6' Long Bench	110 lbs.	\$579
1303-08	8' Long Bench	200 lbs.	\$625
1303-ARM	Arm Rest Option for End of Bench	N/A	\$69

# GRILLS

# 40



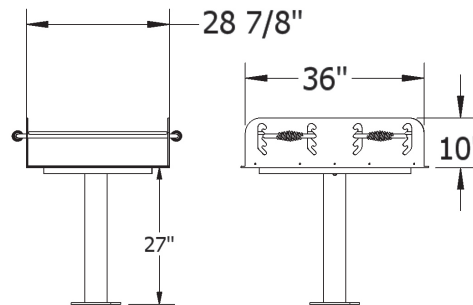
**Model 1140-00**



**Model 1140-10**



**Model 1140-20**



Post: 3-1/2" O.D. and 4-1/2" O.D. Heavy Duty Steel Tube  
 Grill: Heavy Duty Steel Plate  
 Finish: Heat Resistant Powder Coat  
 Color: Flat Black  
 Mounting: Surface or In-Ground (1140-00 & 1140-10), Surface (1140-20)

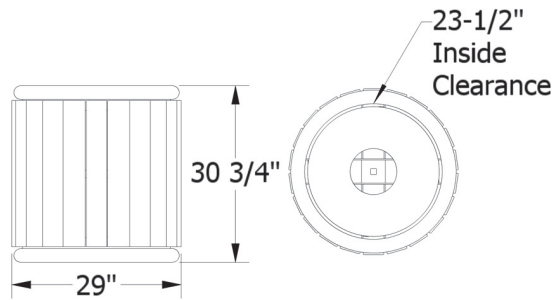
Model	Description	Weight	Price
1140-00	Single Grill	70 lbs.	\$350
1140-00 Shelf	Shelf for Single Grill	N/A	\$49
1140-10	Double Grill	140 lbs.	\$633
1140-10 Shelf	Shelf for Double Grill	N/A	\$51
	Surface Mount Option for 1140-00 and 1140-10	N/A	\$76
1140-20	Large Group Grill	215 lbs.	\$961

# 41

# TRASH RECEPTACLES



**Model 1450**



- Sides: 2" x 4" Recycled Composite Planks
- Top: 2-3/8" Heavy Duty Steel Tube
- Lid: Flat Steel with 8" Opening
- Liner: Rigid Plastic Included
- Finish: Super Durable Powder Coat
- Colors (page 2): 28 Powder Coat Colors, 14 Recycled Composite Plank Colors
- Mounting: Surface Mount Standard, In-Ground Mount Optional

Model	Description	Weight	Price
1450	Litter Receptacle	211 lbs.	\$1,198
1450-SH	Litter Receptacle, Side Opening	211 lbs.	\$1,398
1450-M1	Litter Receptacle, Top Opening, In-Ground Mount	211 lbs.	\$1,248

## Plastic Dome Lid Color Options

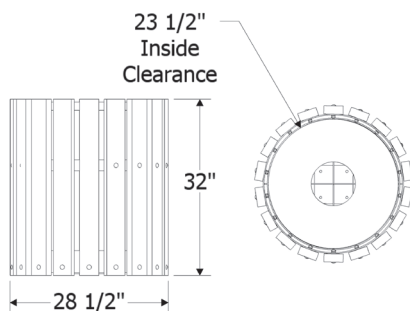
Contrasting Plank and Lid Colors recommended when ordering



Black, Brown, Gray, Green, Ivory, Red



**Model 1150**



- Sides: 2" x 4" Recycled Composite Planks
- Top: 3/8" x 2" Rolled Steel Bar
- Lid: Flat Steel with 8" Opening
- Liner: Rigid Plastic Included
- Finish: Super Durable Powder Coat
- Colors (page 2): 28 Powder Coat Colors, 14 Recycled Composite Plank Colors
- Mounting: Surface or In-Ground

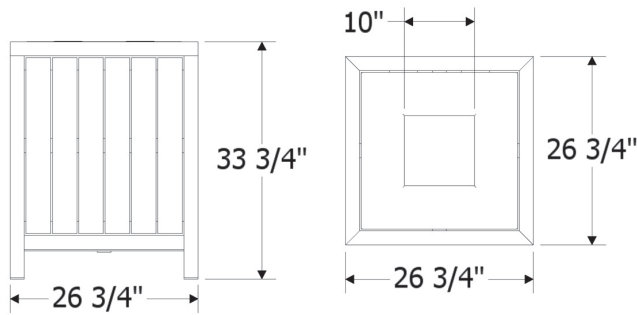
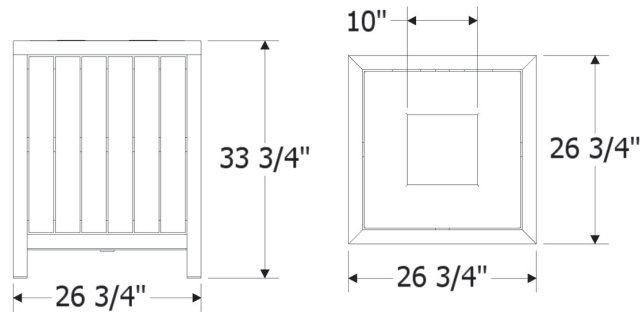
Model	Description	Weight	Price
1150	Litter Receptacle, Flat Lid, Surface Mount	107 lbs.	\$713
1150-M1	Litter Receptacle, Flat Lid, In-Ground Mount (M1)	115 lbs.	\$813
1150-NL	Litter Receptacle, No Lid, Surface Mount	99 lbs.	\$663
1150-PL	Litter Receptacle, Plastic Dome Lid, Surface Mount	107 lbs.	\$813
1150-PL-M1	Litter Receptacle, Plastic Dome Lid, In-Ground Mount	115 lbs.	\$913
SL	Flat Steel Lid, Sold Separately	7.55 lbs.	\$186
PS	Plastic Dome Lid, Sold Separately	7.2 lbs.	\$257



# TRASH RECEPTACLES 42



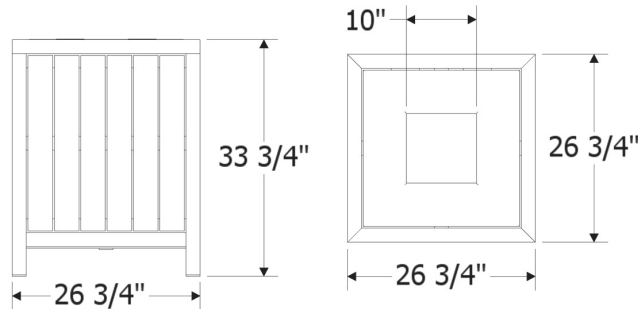
**Model 1307-RCP-SH**



**Model 1307-ROD-SH**



**Model 1307-BAR-SH**

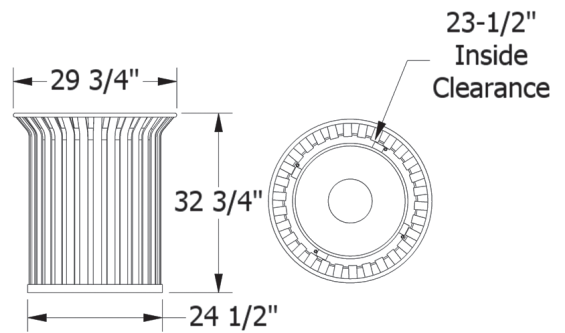


- Sides: 2" x 4" Recycled Composite Planks, 1-1/2" O.D. Steel Rod, or 1-1/2" x 1/4" Steel Bar
- Top: 2" x 2" Square Steel Tube
- Lid: Flat Steel with 10" Opening
- Liner: Rigid Plastic Included
- Finish: Super Durable Powder Coat
- Colors (page 2): 28 Powder Coat Colors, 14 Recycled Composite Plank Colors
- Mounting: Surface

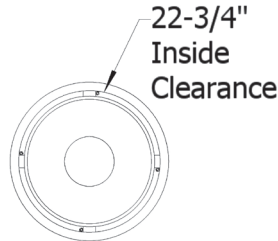
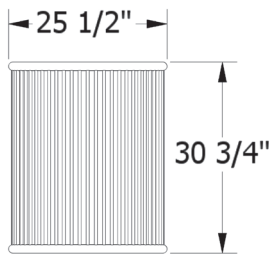
Model	Description	Weight	Price
1307-RCP-SH	Side Opening Receptacle with Recycled Composite Planks	277 lbs.	\$1,486
1307-ROD-SH	Side Opening Receptacle with 1-1/2" O.D. Steel Rod	251 lbs.	\$1,048
1307-BAR-SH	Side Opening Receptacle with 1-1/2" X 1/4" Steel Bar	249 lbs.	\$1,048

# 43

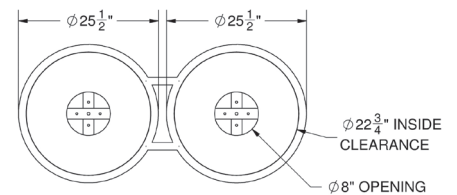
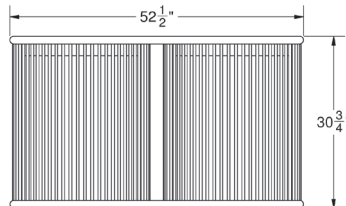
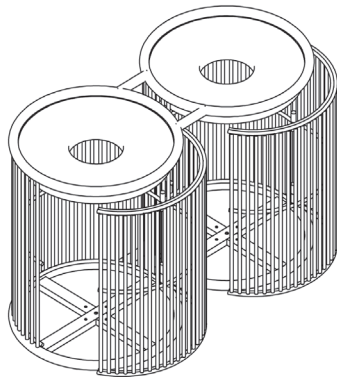
# TRASH RECEPTACLES



Model 3150



Model 3250



Model 3250-DBL-SH

- Sides: 1-1/2" x 3/16" Steel Strap, or 1/2" O.D. Solid Steel Rod
- Top: 3/4" O.D. Solid Steel Rod
- Lid: Flat Steel with 8" Opening
- Liner: Rigid Plastic Included
- Finish: Super Durable Powder Coat
- Colors (page2): 28 Powder Coat Colors
- Mounting: Surface

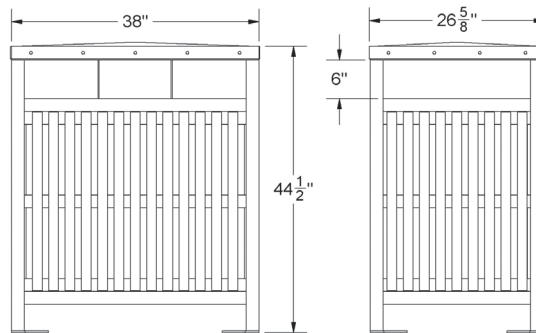
Model	Description	Weight	Price
3150	Top Opening Litter Receptacle with 32 Gallon Liner	140 lbs.	\$795
3150-SH	Side Opening Litter Receptacle with 32 Gallon Liner	140 lbs.	\$996
3250	Top Opening Litter Receptacle with 32 Gallon Liner	127 lbs.	\$873
3250-SH	Side Opening Litter Receptacle with 32 Gallon Liner	127 lbs.	\$1,048
3250-DBL-SH	Side Opening Double Litter Receptacle with 32 Gallon Liners	340 lbs.	\$1,888

# RECYCLING RECEPTACLES

# 44

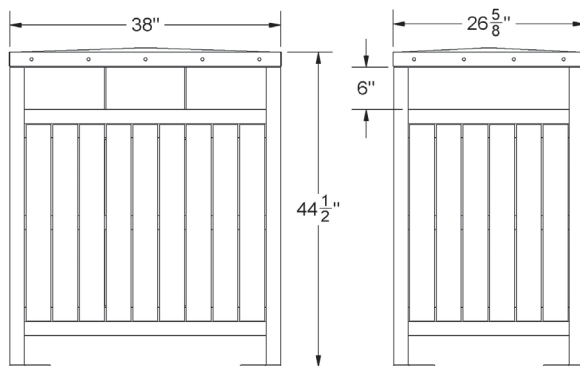


**Model 1308-BAR**



- Sides: 1-1/2" x 3/16" Heavy Duty Steel Slat
- Frame: 2" x 2" Square Steel Tube, Side Opening
- Top: 18 Gauge Steel
- Liners: (3) 11" x 21-1/2" x 27" Divided Galvanized
- Finish: Super Durable Powder Coat
- Colors (page 2): 28 Powder Coat Colors
- Mounting: Surface

Model	Description	Weight	Price
1308-BAR	Divided Recycling Receptacle, 1-1/2" Steel Slat, 25 Gallons	350 lbs.	\$2,038



- Sides: 2" x 4" Recycled Composite Planks
- Frame: 2" x 2" Square Steel Tube, Side Opening
- Top: 18 Gauge Steel
- Liners: (3) 11" x 21-1/2" x 27" Divided Galvanized
- Finish: Super Durable Powder Coat
- Colors (page 2): 28 Powder Coat Colors, 14 Recycled Composite Plank Colors
- Mounting: Surface



**Model 1307-RCP**

Model	Description	Weight	Price
1308-RCP	Divided Recycling Receptacle, 2" x 4" Composite, 25 Gallons	380 lbs.	\$2,088

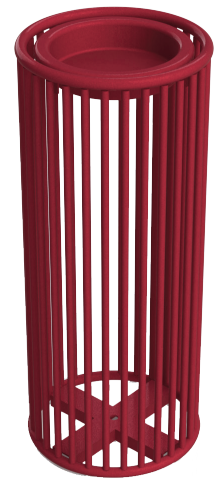
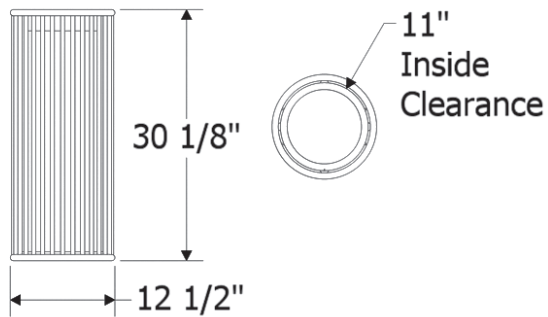
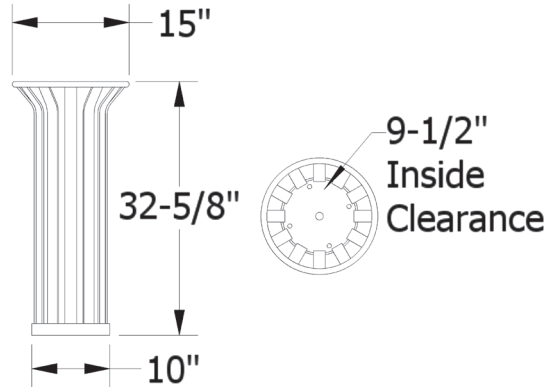


# 45

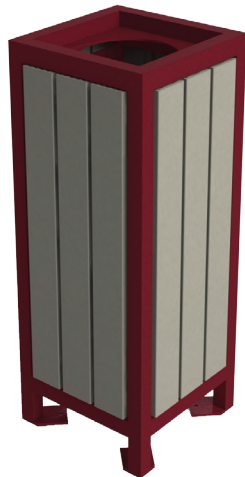
# ASH RECEPTACLES



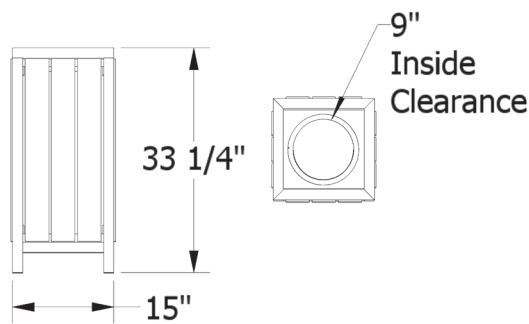
Model 3350



Model 3255



Model 1351

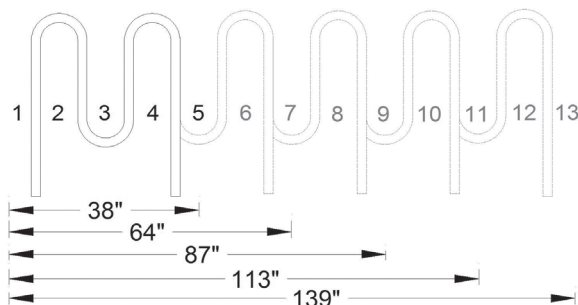


- Sides: 1-1/2" x 3/16" Steel Strap, 1/2" O.D. Steel Rod, or 2" x 4" Recycled Composite Planks
- Top: 3/4" O.D. Solid Steel Rod, or 1-1/2" x 1-1/2" Square Steel Tube
- Ash Tray: Steel
- Finish: Super Durable Powder Coat
- Colors (page 2): 28 Powder Coat Colors, 14 Recycled Composite Plank Colors
- Mounting: Surface

Model	Description	Weight	Price
3350	Ash Receptacle, 1-1/2" x 3/16" Steel Strap	34 lbs.	\$513
3255	Ash Receptacle, 1/2" O.D. Steel Rod	70 lbs.	\$523
1351	Ash Receptacle, 2" x 4" Recycled Composite Planks	90 lbs.	\$684

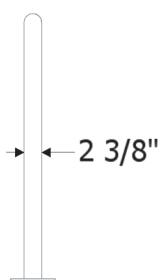
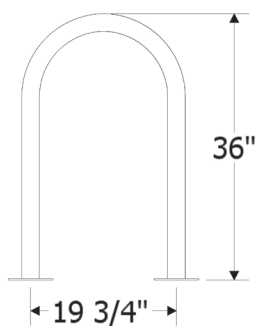


**Roller Coaster Model 1602**



Constructed of 2-3/8" O.D. Galvanized Heavy Duty Steel tube with Super Durable Powder Coated Finish  
 Mounting: Surface or In-Ground  
 Finish: Super Durable Powder Coat, Colors on Page 2  
 Stainless Steel Available, Call for Pricing

Model	Description	Weight	Price
1602-05P	5 Spaces, 38" Long	60 lbs.	\$412
1602-07P	7 Spaces, 38" Long	90 lbs.	\$464
1602-09P	9 Spaces, 38" Long	125 lbs.	\$524
1602-11P	11 Spaces, 38" Long	155 lbs.	\$635
1602-13P	13 Spaces, 38" Long	175 lbs.	\$687



**Rainbow Model 1608**

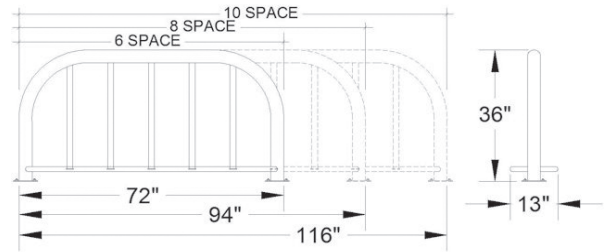
Beautifully formed of 2-3/8" O.D. Galvanized Steel Tube, these inverted "U" shaped Bike Racks each secure 2 bikes. From circles, follow gently landscaped curves, or use in a small space. 36" x 22"

Mounting: Surface or In-Ground  
 Finish: Super Durable Powder Coat, Colors on Page 2  
 Stainless Steel Available, Call for Pricing

Model	Description	Weight	Price
1608-01P	Powder Coated Rainbow Bike Rack	28 lbs.	\$250
1608-01G	Galvanized Rainbow Bike Rack	27 lbs.	\$223

# 47

# BIKE RACKS

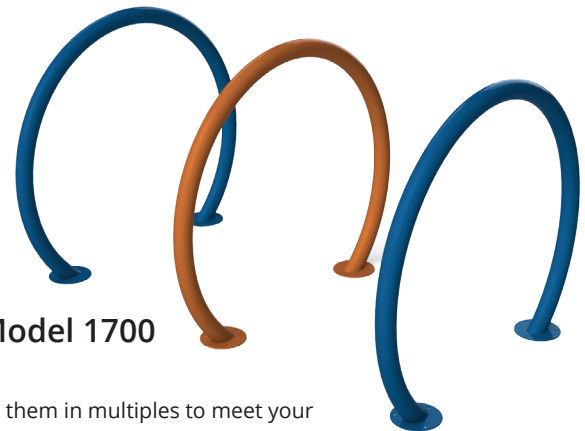
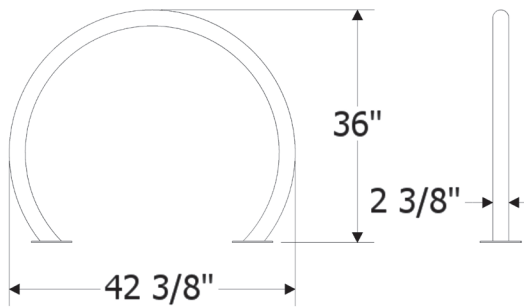


**Oxford Model 1610**

The Oxford bike rack gains support from either 4-1/2" O.D. or 3-1/2" O.D. Galvanized Steel Tubing. No assembly required for installation.

Mounting: Surface or In-Ground  
 Finish: Super Durable Powder Coat, Colors on Page 2

Model	Description	Weight	Price
1610-06P	4-1/2" O.D. 6 Spaces, 72" L x 36" H	160 lbs.	\$726
1610-08P	4-1/2" O.D. 8 Spaces, 94" L x 36" H	190 lbs.	\$779
1610-10P	4-1/2" O.D. 10 Spaces, 116" L x 36" H	220 lbs.	\$840
1610-16P	3-1/2" O.D. 6 Spaces, 72" L x 36" H	120 lbs.	\$667
1610-18P	3-1/2" O.D. 8 Spaces, 94" L x 36" H	145 lbs.	\$700
1610-20P	3-1/2" O.D. 10 Spaces, 116" L x 36" H	170 lbs.	\$740



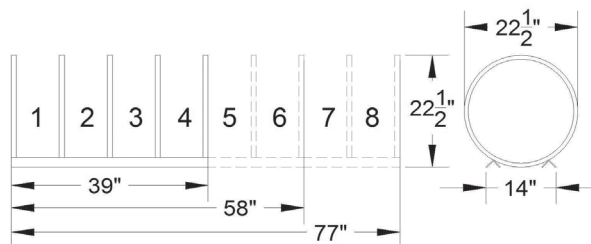
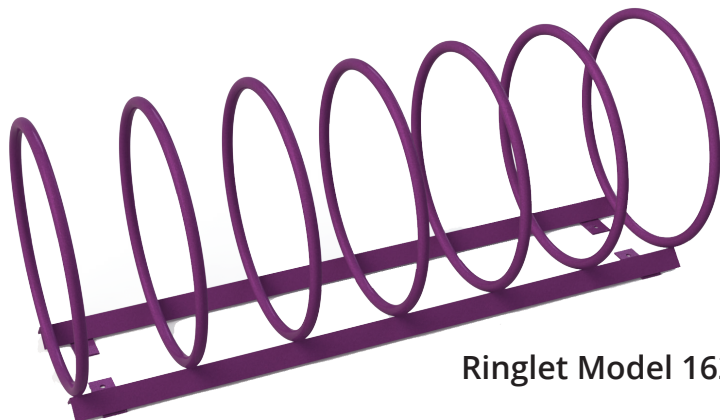
**Round Up Model 1700**

These beautifully formed circle bike racks can be used alone or mount them in multiples to meet your needs. Constructed of Heavy Duty 2-3/8" O.D. Galvanized Steel Tubing.

Mounting: Surface or In-Ground  
 Finish: Super Durable Powder Coat, Colors on Page 2  
 Stainless Steel Available, Call for Pricing

Model	Description	Weight	Price
1700-00P	(1) 2-3/8" O.D. Bike Rack, 2 Spaces	36 lbs.	\$277



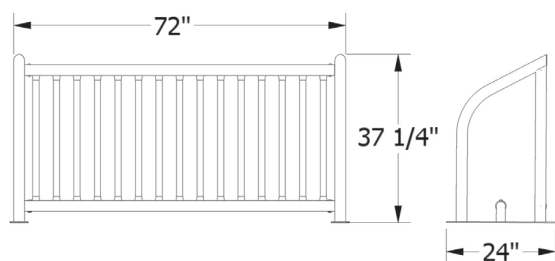


**Ringlet Model 1625**

With a base built with 2" x 2" steel angle and 1" heavy duty steel tube rings, this bike rack provides a secure place to lock bikes without a bulky, hefty design. Although lovely in classic colors, this rack really shines when given a pop of color from our super durable powder coat choices shown on page 2.

Mounting: Surface  
 Finish: Super Durable Powder Coat, Colors on Page 2

Model	Description	Weight	Price
1625-04	4 Spaces, 39" Long	69 lbs.	\$516
1625-06	6 Spaces, 58" Long	102 lbs.	\$625
1625-08	8 Spaces, 77" Long	135 lbs.	\$740



**Newport Model 1606**

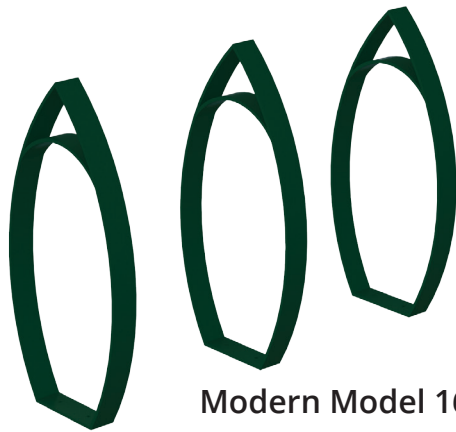
Call it a classic or call it retro, this bike rack features a 2-3/8" Heavy Duty Steel tube frame with 1-3/8" Heavy Duty Steel stub uprights. Select your color choice from one of our 28 options on Page 2.

Mounting: Surface  
 Finish: Super Durable Powder Coat, Colors on Page 5.  
 Stainless Steel Available, Call for Pricing

Model	Description	Weight	Price
1606-06	8 Spaces, 72" Long	138 lbs.	\$875

# 49

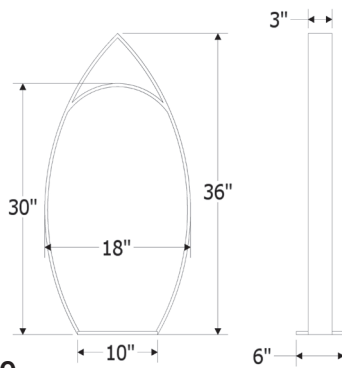
# BIKE RACKS



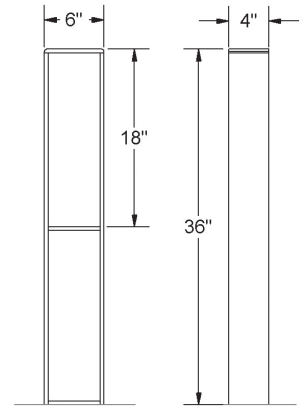
**Modern Model 1650**

Hand formed of 3/8" steel bar, these racks are suitable for in-ground or surface mount and can be installed alone or in groups. Make your own statement by selecting your choice of color from our chart on page 2.

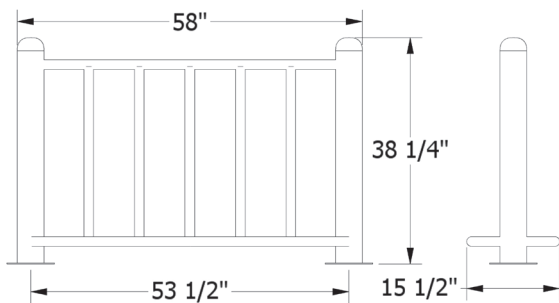
Mounting: Surface or In-Ground  
 Finish: Super Durable Powder Coat, Colors on Page 2



**Modern Model 1652-04**



Model	Description	Weight	Price
1650-00	(1) Rack, 2 Spaces, 3" Strap	95 lbs.	\$296
1652-04	2 Spaces, 4" Strap	50 lbs.	\$287



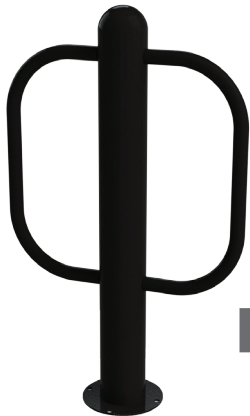
**Cambridge Model 1609**

Select appropriate post diameter, from 3-1/2" to 5-9/16" for your application. Then choose a beautiful color from our selection on page 2.

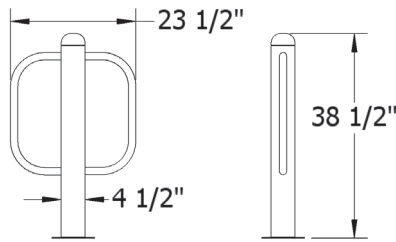
Mounting: Surface  
 Finish: Super Durable Powder Coat, Colors on Page 2

Model	Description	Weight	Price
1609-03P	3-1/2" Post Diameter, 6 Spaces, 58" Long	151 lbs.	\$612
1609-04P	4-1/2" Post Diameter, 6 Spaces, 58" Long	171 lbs.	\$667
1609-05P	5-9/16" Post Diameter, 6 Spaces, 58" Long	181 lbs.	\$677

# BIKE RACKS/BOLLARDS 50



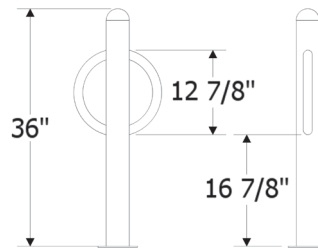
**Model 1600**



Center Post: Heavy Duty Steel Tube  
 Rails: 1-3/8" O.D. Heavy Duty Steel Tube  
 Colors (page 2): 28 Super Durable Powder Coat Colors  
 Mounting: Surface or In-Ground

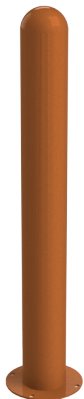
Model	Description	Weight	Price
1600-42P	4-1/2" O.D. Post	61 lbs.	\$277
1600-52P	5-9/16" O.D. Post	80 lbs.	\$300

Center Post: Heavy Duty Steel Tube  
 Rails: 1-3/8" O.D. Heavy Duty Steel Tube  
 Colors (page 2): 28 Super Durable Powder Coat Colors  
 Mounting: Surface or In-Ground



**Model 1605**

Model	Description	Weight	Price
1605-32P	3-1/2" O.D. Post	40 lbs.	\$284
1605-42P	4-1/2" O.D. Post	56 lbs.	\$300
1605-52P	5-9/16" O.D. Post	76 lbs.	\$342



Center Post: Heavy Duty Steel Tube  
 Colors (page 2): 28 Super Durable Powder Coat Colors  
 Mounting: Surface or In-Ground

**Model 1100**



Model	Description	Weight	Price
1100-03P	3-1/2" O.D. Post	38 lbs.	\$220
1100-13P	3-1/2" O.D. Post, with Ground Sleeve	68 lbs.	\$285
1100-04P	4-1/2" O.D. Post	54 lbs.	\$233
1100-14P	4-1/2" O.D. Post, with Ground Sleeve	94 lbs.	\$411
1100-05P	5-9/16" O.D. Post	74 lbs.	\$257
1100-15P	5-9/16" O.D. Post, with Ground Sleeve	124 lbs.	\$451
1100-06P	6-5/8" O.D. Post	104 lbs.	\$285
1100-16P	6-5/8" O.D. Post, with Ground Sleeve	154 lbs.	\$511
	Locking Option for Post	N/A	\$69
	Ring for Chain, Welded to Post	N/A	\$25

# WARRANTY INFORMATION

## ***10 Year Limited Warranty***

10 Year Limited Warranty includes all steel bench frames, steel bench assemblies, table frames, litter receptacle frames, ash receptacles, bike racks, and parking bollards.

## ***20 Year Limited Warranty***

20 Year Limited Warranty includes structural failure of all recycled plastic planks.

## ***Warranty Terms***

Patterson-Williams warrants its products to be free from defect in materials or workmanship during normal use and installation, provided our published specification/installation instructions are followed and approved parts are used. This warranty is valid only if the product has been subjected to normal use for the purpose for which it was designed; has not be subjected to vandalism, misuse, neglect, or accident; has not be subjected to addition or substitution of parts; and has not been modified or altered. This warranty does not cover cosmetic items, for example: scratches, dents, marring, fading, discoloring, weathering, paint or decorations, normal wear and tear, or damage due to checking and warping. The warranty period begins on the date of invoice. The warranty does not cover the cost of removal and/or installation of warranted product. All claims must be accompanied by a copy of the original invoice. Patterson-Williams must be notified before any corrective action is taken and reserves the right to determine whether claims will be fulfilled by replacement or by other means. Replacement parts are guaranteed for the remainder of the original warranty period.

## ***Terms of Sale***

Standard terms of payment are net 30-days from shipping date for all publicly funded schools, park districts, municipalities and other publicly funded institutions. All others are 50% down, with balance required before shipment. A monthly finance charge of 1-1/2% per month will apply to all past due accounts. Please check your shipment carefully at time of delivery for possible damage or shortages. Although we take extra care to ensure your order is packed complete, items may become lost in transit. Check the Bill of Lading and Packing List at the time of delivery by the freight company for accuracy and/or possible shipping damage, and please call your local Patterson-Williams dealer immediately to assist with any questions or subsequent freight claims. During the year, our engineering team finds new ways to improve our product designs. Rather than make our customers wait until year's end and a new catalog to make these improvements, we do reserve the right to change product specifications without notice.

Orders for custom or modified equipment require 50% down and cannot be cancelled. Returns on any products will need to be authorized by Patterson-Williams and assigned an RGA number prior to shipment. A 20% restocking charge will apply on returned goods. Any questions concerning our terms or warranties can be directed to your local Patterson-Williams dealer or to the Patterson-Williams customer service department at 1-800-687-5768.

We accept Mastercard, Visa, and American Express.



# Patterson-Williams

A subsidiary of Americana Building Products  
PO Box 1290, Salem IL 62881  
140 N. Gilbert Road, Mesa AZ 85203  
1-888-442-2925, Fax: 1-618-548-2890  
Sales@Patterson-Williams.com

